

零件目錄書

PART CATALOGUE

VF3i LE GA18BV-MY (VFA)

| 作承 | 確認 | 承認 |
|----|----|----|
| | | |

Ver. _____

Date: _____

VF3i LE - GA18BV-MY (VFA)


| Color Remarks | |
|---------------|-----------|
| KT | BLACK |
| EN | GREEN |
| OE | ORANGE |
| IF | MATT GRAY |
| OEG | ORANGE |

| | | KGF | | IOE | |
|----|--------------------------|-----------------------|---------------------|---------------------|-------------------|
| | | BK-501U / GN-010S / S | | GY-097/OR-1655C | |
| No | Parts Name | Parts Number | MATTE BLACK / GREEN | Parts Number | MATT GRAY/ ORANGE |
| 1 | METER COVER | 53204-VF3-000 | KT | 53204-VF3-000 | OE |
| 2 | FR. HANDLE COVER | 53205-VF3-000 | KT | 53205-VF3-000 | IF |
| 3 | FR. FENDER | 61100-VF3-000 | KT | 61100-VF3-000 | OEG |
| 4 | R. FR. COVER | 64301-VF3-000 | KT | 64301-VF3-000 | IF |
| 5 | L. FR. COVER | 64302-VF3-000 | KT | 64302-VF3-000 | IF |
| 6 | R. MAIN PIPE INNER COVER | 64303-VF3-000 | KT | 64303-VF3-000 | IF |
| 7 | L. MAIN PIPE INNER COVER | 64304-VF3-000 | KT | 64304-VF3-000 | IF |
| 8 | FR. TOP COVER | 64310-VF3-000 | KT | 64310-VF3-000 | IF |
| 9 | FR. GARNISH | 64311-VF3-000 | KT | 64311-VF3-000 | IF |
| 10 | R. BODY COVER | 83500-VF3-000 | KT | 83500-VF3-000 | IF |
| 11 | L. BODY COVER | 83600-VF3-000 | KT | 83600-VF3-000 | IF |
| 12 | R. SIDE COVER | 83510-VF3-000 | KT | 83510-VF3-000 | OE |
| 13 | L. SIDE COVER | 83610-VF3-000 | KT | 83610-VF3-000 | OE |
| 14 | R. BODY LOWER COVER | 83550-VF3-000 | KT | 83550-VF3-000 | IF |
| 15 | L. BODY LOWER COVER | 83650-VF3-000 | KT | 83650-VF3-000 | IF |
| 16 | RR. CARRIER | 81200-VF3-000 | EN | 81200-VF3-000 | OE |
| 17 | MUFFLER PROTECTOR | 18318-VF3-000 | KKT | 18318-VF3-000 | KEG |
| 18 | FR. WHEEL CAST | 44701-VF3-000-T3-VN | EN | 44701-VF3-000-T4-VN | T4 |
| 19 | RR. WHEEL CAST | 42701-VF3-000-T3-VN | EN | 42701-VF3-000-T4-VN | T4 |
| 20 | R. STEP HOLDER | 50650-VF3-000 | KT | 50650-VF3-000 | IF |
| 21 | L. STEP HOLDER | 50750-VF3-000 | KT | 50750-VF3-000 | IF |
| 22 | DOUBLE SEAT COMP | 77200-VF3-900 | BK-001L | 77200-VF3-900 | BK-001L |
| 23 | UNDER SPOILER | 64300-VF3-000 | KU | 64300-VF3-000 | KU |
| 24 | FR. UNDER SPOILER | 64500-VF3-000 | BK-001U | 64500-VF3-000 | BK-001U |

VF3i LE - GA18BV-MY (VFA)


| Color Remarks | |
|---------------|-----------|
| KT | BLACK |
| EN | GREEN |
| OE | ORANGE |
| IF | MATT GRAY |
| OEG | ORANGE |

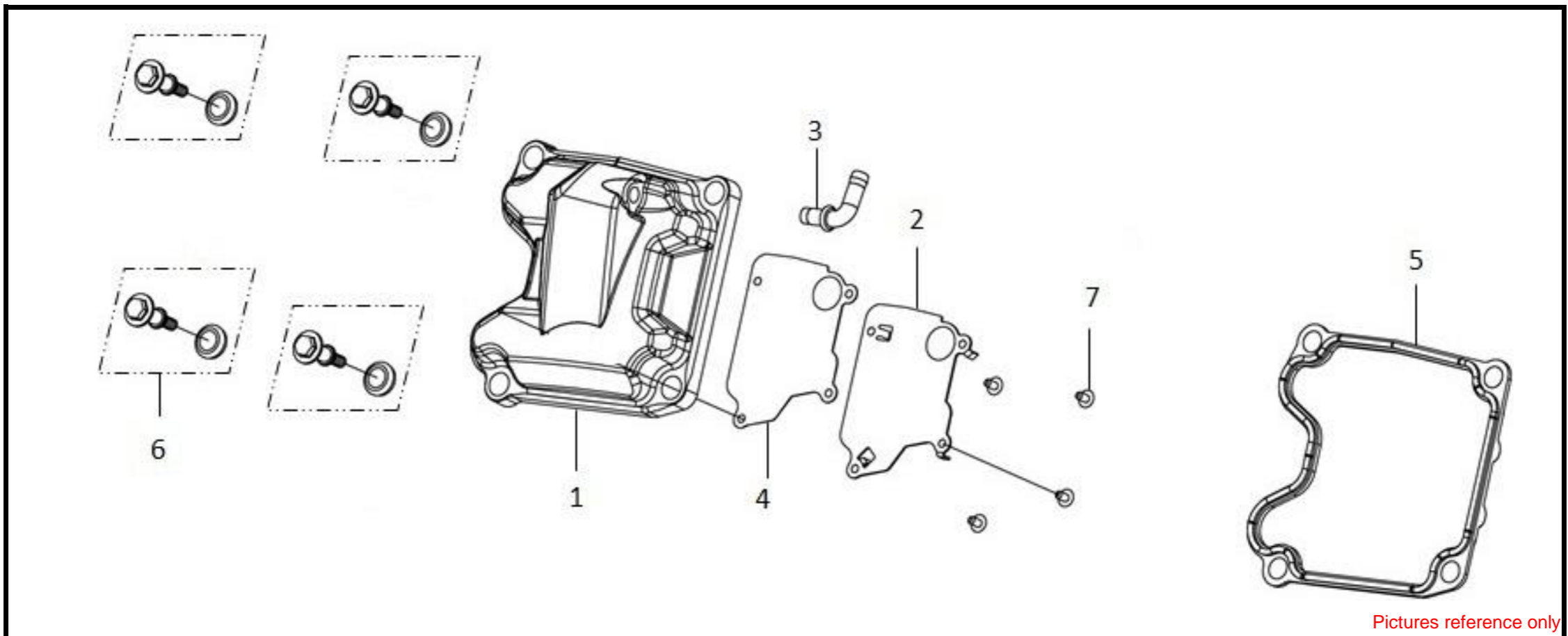
| | | KGF | | IOE | |
|----|--------------------------|-----------------------|---------------------|------------------|-------------------|
| | | BK-501U / GN-010S / S | | GY-097/OR-1655C | |
| No | Parts Name | Parts Number | MATTE BLACK / GREEN | Parts Number | MATT GRAY/ ORANGE |
| 25 | RR. HANDLE COVER | 53206-VF3-000 | BK-001U | 53206-VF3-000 | BK-001U |
| 26 | MAIN PIPE COVER | 64101-VF3-000 | BK-001U | 64101-VF3-000 | BK-001U |
| 27 | CENTER COVER | 64100-VF3-000 | BK-001U | 64100-VF3-000 | BK-001U |
| 28 | MAIN PIPE JOINT CAP | 64102-VF3-000 | BK-001U | 64102-VF3-000 | BK-001U |
| 29 | R. ENG. HANGER PROTECTOR | 50350-VF3-000-VN | BK-001U | 50350-VF3-000-VN | BK-001U |
| 30 | RR. INNER FENDER | 80106-VF3-000 | BK-001U | 80106-VF3-000 | BK-001U |
| 31 | RR. FENDER | 80100-VF3-000 | BK-001U | 80100-VF3-000 | BK-001U |
| 32 | CHAIN COVER | 40510-VF3-000 | BK-001U | 40510-VF3-000 | BK-001U |
| 33 | BATTERY CASE | 50327-VF3-000 | BK-001U | 50327-VF3-000 | BK-001U |
| 34 | FR. CALIPER ASS'Y | 45100-VF5-900 | YL-01912 | 45100-VF5-900 | YL-01912 |
| 35 | RR. CALIPER ASS'Y | 43100-VF3-000-VN | YL-01912 | 43100-VF3-000-VN | YL-01912 |
| 36 | FR. BRAKE DISK | 4512A-VF5-000-VN | BK-001C | 4512A-VF5-000-VN | BK-001C |
| 37 | RR. BRAKE DISK | 4312A-VF5-000-VN | BK-001C | 4312A-VF5-000-VN | BK-001C |
| 38 | REAR FORK COMP | 52100-VF3-000 | BK-01AC-C | 52100-VF3-000 | BK-01AC-C |
| 39 | R.FR.CUSHION ASS'Y | 51400-VF5-000 | BK-01AC-C | 51400-VF5-000 | BK-01AC-C |
| 40 | L. FR. CUSHION ASS'Y | 51500-VF5-000 | BK-01AC-C | 51500-VF5-000 | BK-01AC-C |
| 41 | RR. BRAKE BRKT | 52105-VF3-000 | BK-01AC-C | 52105-VF3-000 | BK-01AC-C |
| 42 | RR. CUSHION ASS'Y | 52400-VF3-000 | BK-01AC-C | 52400-VF3-000 | BK-01AC-C |
| 43 | CYL. HEAD COVER | 12301-VF3-000-KG | BK-01AC-C | 12301-VF3-000-KG | BK-01AC-C |
| 44 | CYLINDER HEAD COMP. | 12200-VFA-000 | BK-01AC-C | 12200-VFA-000 | BK-01AC-C |
| 45 | CYLINDER COMP. | 1210A-VF3-000 | BK-01AC-C | 1210A-VF3-000 | BK-01AC-C |
| 46 | R. CRANK CASE COMP. | 11100-VF3-000-FG | BK-01AC-C | 11100-VF3-000-FG | BK-01AC-C |
| 47 | L. CRANK CASE COMP | 11200-VF3-000-SP | BK-01AC-C | 11200-VF3-000-SP | BK-01AC-C |
| 48 | THERMOSTAT COVER | 19315-BAA-000-KG | BK-01AC-C | 19315-BAA-000-KG | BK-01AC-C |

VF3i LE - GA18BV-MY (VFA)



| Color Remarks | |
|---------------|-----------|
| KT | BLACK |
| EN | GREEN |
| OE | ORANGE |
| IF | MATT GRAY |
| OEG | ORANGE |

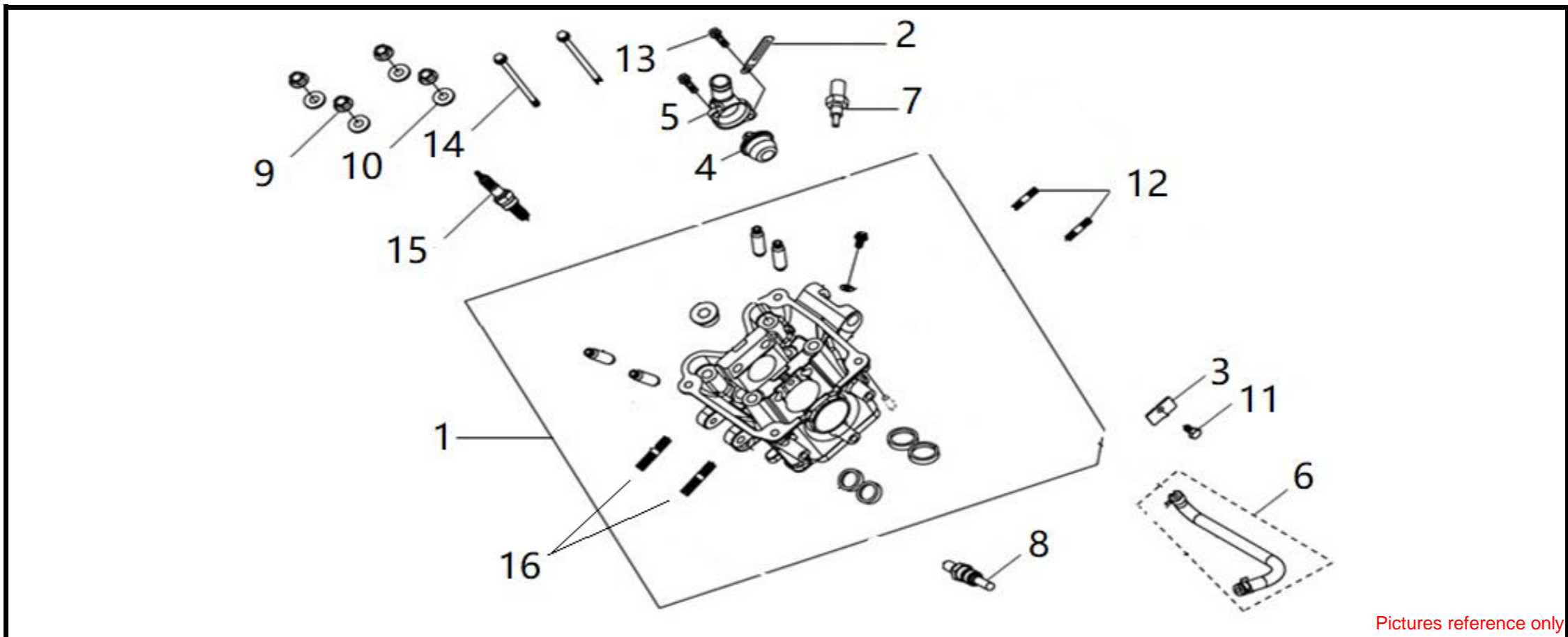
| | | KGF | | IOE | |
|----|---------------------------|-----------------------|---------------------|-----------------|-------------------|
| | | BK-501U / GN-010S / S | | GY-097/OR-1655C | |
| No | Parts Name | Parts Number | MATTE BLACK / GREEN | Parts Number | MATT GRAY/ ORANGE |
| 49 | R. CRANK CASE COVER COMP. | 11330-VF3-000 | KT | 11330-VF3-000 | KT |
| 50 | L.CRANK CASE COVER | 11341-VF3-000 | KT | 11341-VF3-000 | KT |
| 51 | L. CRANK CASE REAR COVER | 11361-VF3-000 | KT | 11361-VF3-000 | KT |
| 52 | A. C. G. CAP 14 MM | 90084-VBA-000 | KT | 90084-VBA-000 | KT |
| 53 | A. C. G. CAP 33 MM | 90087-VF3-000 | KT | 90087-VF3-000 | KT |
| 54 | MARK STRIPE | MARK STRIPE | T1 | | |



Pictures reference only

| No | Parts Number | Parts Name | Qty | Price (RM/pcs) | Remark |
|----|-------------------|---------------------------|-----|----------------|--------|
| 1 | 12301-VF3-000-KG | Cylinder Head Cover | 1 | 46.70 | |
| 2 | 12302-VF3-000 | Breather Separating Plate | 1 | 1.70 | |
| 3 | 12305-F6A-3000-L1 | Breather Joint | 1 | 4.40 | |
| 4 | 12308-VF3-000 | Separating Plate Gasket | 1 | 0.90 | |
| 5 | 12391-VF3-000 | Head Cover Packing | 1 | 16.40 | |
| 6 | 9000A-BHA-000 | Special Bolt Ass'y | 4 | 8.70 | |
| 7 | 93903-34120 | Tapping Screw 4*8 mm | 4 | 0.70 | |

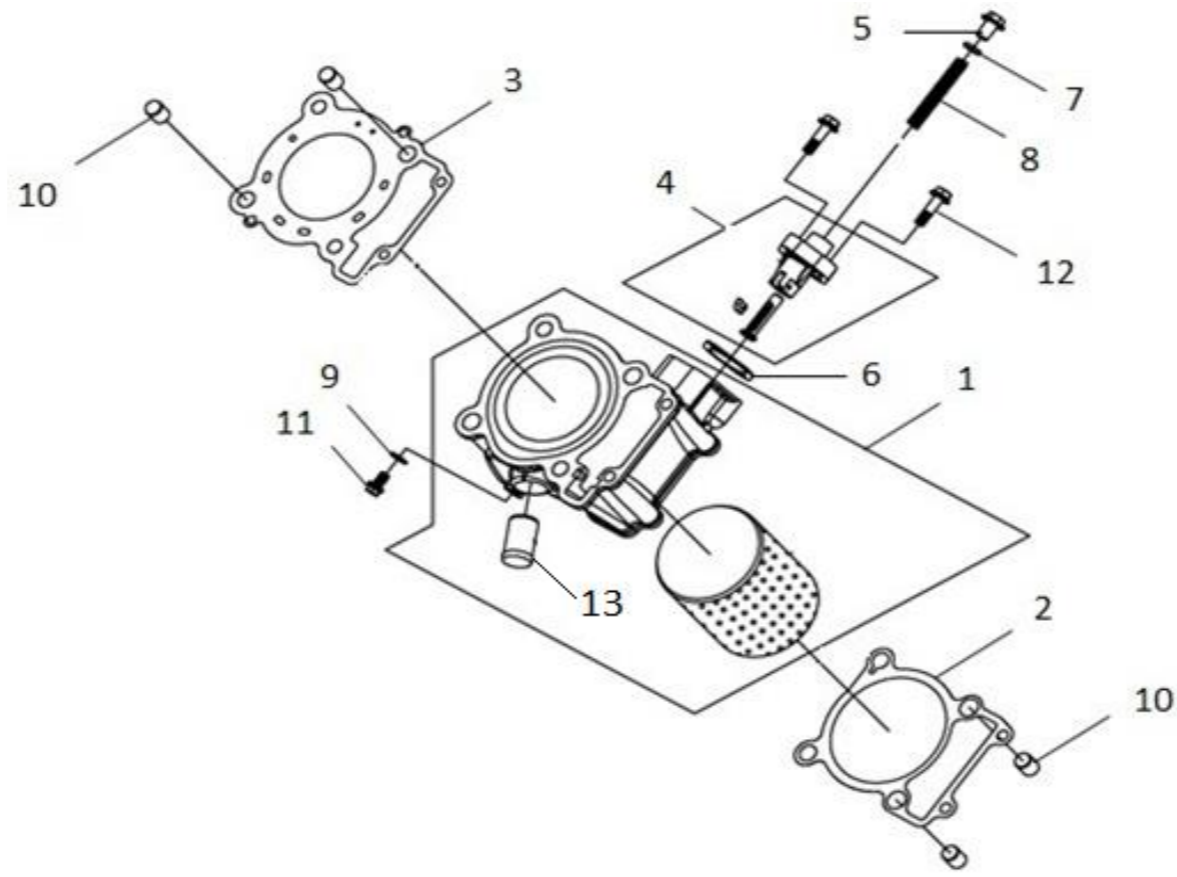
●Please check the color & stripe information according to the color index !



Pictures reference only

| No | Parts Number | Parts Name | Qty | Price (RM/pcs) | Remark |
|----|------------------|---------------------------|-----|----------------|------------|
| 1 | 12200-VFA-000 | Cylinder Head Comp. | 1 | 485.50 | |
| 2 | 12342-X01-000 | Clamp (50 mm) | 1 | 2.30 | |
| 3 | 14457-VF3-000 | Cam Shaft Setting Plate | 1 | 0.90 | |
| 4 | 19300-HMA-000 | Thermostat Ass'y | 1 | 60.50 | |
| 5 | 19315-BAA-000-KG | Thermostat Cover | 1 | 21.70 | |
| 6 | 1951A-VF3-000 | Thermostat Hose Ass'y | 1 | 19.50 | |
| 7 | 37880-HMC-000 | TW Sensor | 1 | 76.10 | |
| 8 | 37890-LHF-0000 | O2 Sensor Comp. | 1 | 241.70 | |
| 9 | 90201-HE1-000 | Flange Nut 9 mm | 4 | 4.80 | |
| 10 | 90442-HLK-000 | Sealing Washer 9 mm | 4 | 1.10 | |
| 11 | 92101-06010-0A | Hex Bolt 6X10 mm | 1 | 0.50 | |
| 12 | 92900-06028-0B | Stud Bolt 6X28 mm | 2 | 2.50 | |
| 13 | 96001-06016-00 | Sh. Flange Bolt 6X16 mm | 2 | 0.80 | |
| 14 | 96001-06095-00 | Sh. Flange Bolt 6*95 mm | 2 | 2.20 | |
| 15 | 299074470010 | Spark Plug (CPR8EA-9) | 1 | 6.00 | nett price |
| 16 | 90034-BAA-000 | Special Stud Bolt 8X36 mm | 2 | 2.40 | |

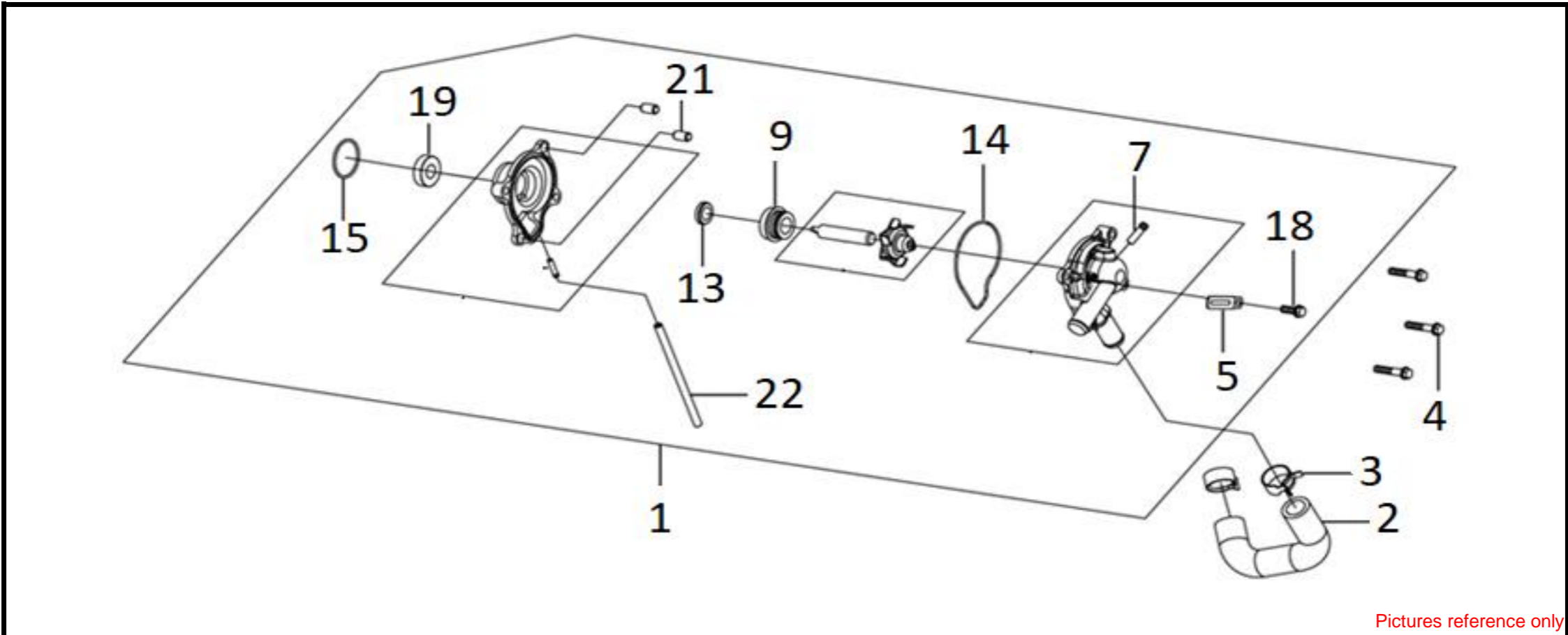
●Please check the color & stripe information according to the color index !



Pictures reference only

| No | Parts Number | Parts Name | Qty | Price (RM/pcs) | Remark |
|----|-------------------|-----------------------------|-----|----------------|--------|
| 1 | 1210A-VF3-000 | CYLINDER ASS'Y. (BK-01AC-C) | 1 | 263.00 | |
| 2 | 12191-VF3-000 | Cylinder Gasket | 1 | 6.00 | |
| 3 | 12251-VF3-000-VN | Cylinder Head Gasket | 1 | 28.30 | |
| 4 | 14520-BAA-000 | Tensioner Lifter Ass'y | 1 | 54.20 | |
| 5 | 14522-H6T-000 | Adjuster Bolt | 1 | 5.10 | |
| 6 | 14523-M9Q-000 | Tensioner Lifter Gasket | 1 | 2.00 | |
| 7 | 14524-H6T-000 | O-Ring | 1 | 2.00 | |
| 8 | 14525-H6T-000 | Adjuster Spring | 1 | 3.60 | |
| 9 | 90478-700-000 | Washer A 6 mm | 1 | 0.90 | |
| 10 | 90704-HLK-000 | Dowel Pin 11*14 mm | 4 | 1.90 | |
| 11 | 96001-06010-00-L1 | Sh. Flange Bolt 6*10 mm | 1 | 0.50 | |
| 12 | 96001-06022-07 | Sh Flange Bolt 6*22 mm | 2 | 0.90 | |
| 13 | 11335-BAA-300-K1 | Water Hose Joint | 1 | 16.00 | |

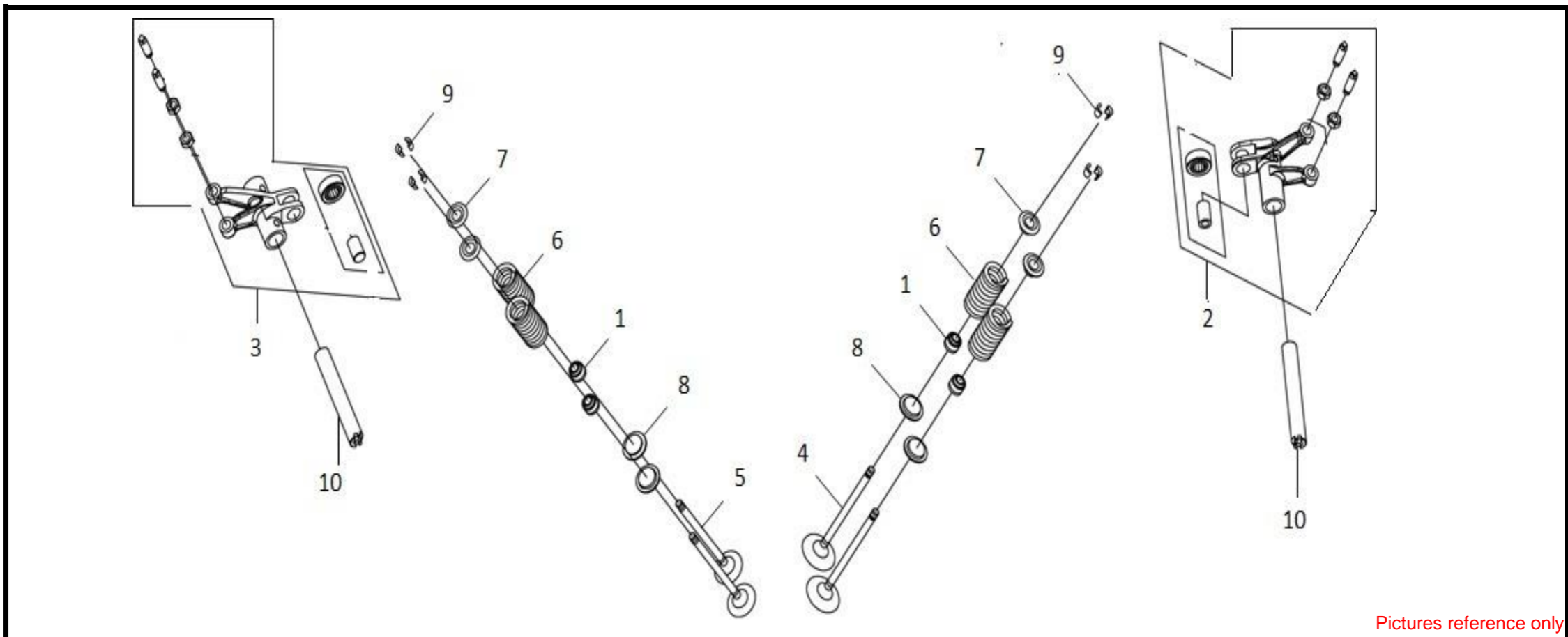
●Please check the color & stripe information according to the color index !



Pictures reference only

| No | Parts Number | Parts Name | Qty | Price (RM/pcs) | Remark |
|----|------------------|-----------------------------|-----|----------------|--------|
| 1 | 1922A-VF3-000 | Water Pump Ass'y | 1 | 194.30 | |
| 2 | 19502-VF3-000 | Water Hose (17*25) mm | 1 | 21.70 | |
| 3 | 19505-VF3-000 | Tube Clamp D23 | 2 | 3.10 | |
| 4 | 96001-06030-00 | Sh. Flange Bolt 6*30 mm | 3 | 1.50 | |
| 5 | 12342-X01-000 | Clamp (50mm) | 1 | 2.30 | |
| 7 | 17102-M9Q-300-L1 | Fuel Joint | 1 | 2.30 | |
| 9 | 19217-H9A-300 | Mechanical Seal | 1 | 78.00 | |
| 13 | 91205-KF0-003 | Oil Seal 12*20*5 mm | 1 | 5.00 | |
| 14 | 91302-VF3-000 | Water Pump Cover O-Ring | 1 | 3.50 | |
| 15 | 91308-HMA-000 | O-Ring 34*2.0mm | 1 | 2.90 | |
| 18 | 96001-06016-00 | Sh. Flange Bolt 6*16 mm | 1 | 0.80 | |
| 19 | 96140-60010-00 | Radial Ball Brg. 6001 (CJB) | 1 | 11.70 | |
| 21 | 94301-08140 | Dowel Pin 8X14 mm | 2 | 2.10 | |
| 22 | 95005-35250-50 | Tube(3.5*250) mm | 1 | 3.10 | |

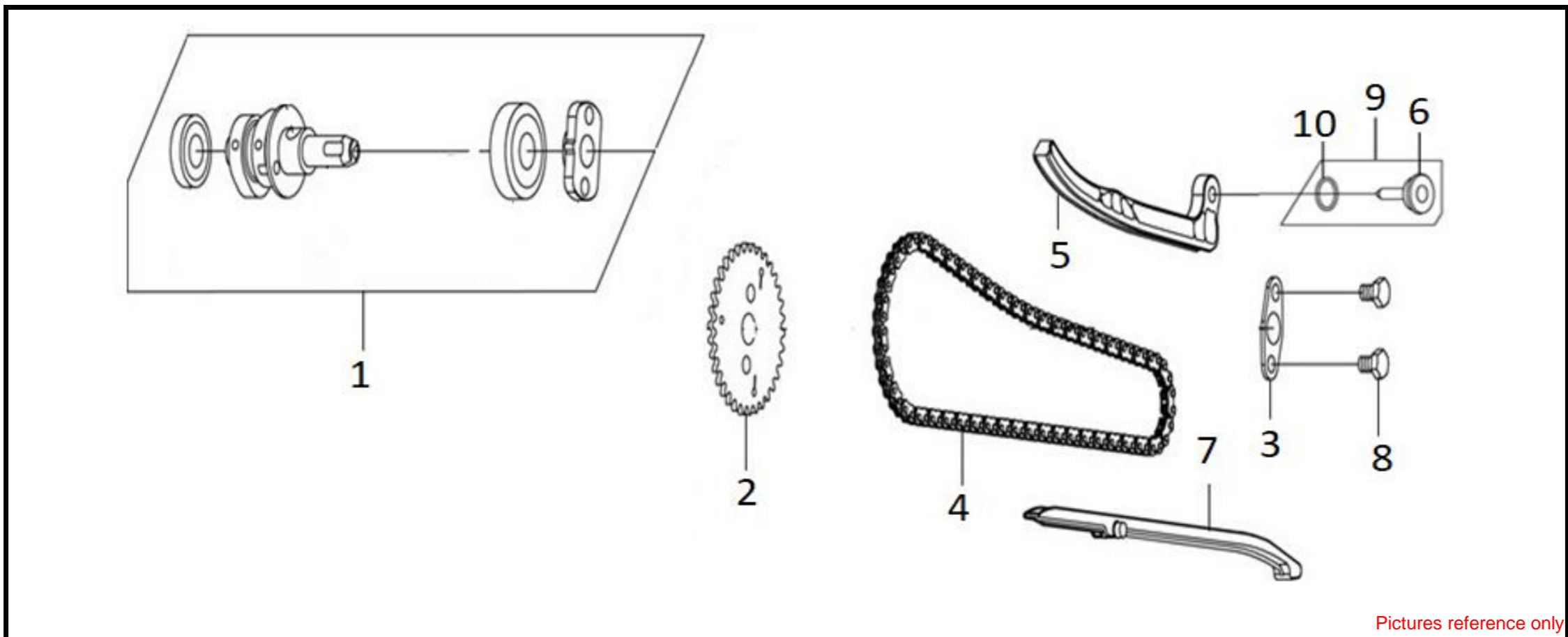
●Please check the color & stripe information according to the color index !



Pictures reference only

| No | Parts Number | Parts Name | Qty | Price (RM/pcs) | Remark |
|----|------------------|----------------------------|-----|----------------|--------|
| 1 | 12209-L1N-000 | Valve Stem Seal | 4 | 7.30 | |
| 2 | 1443A-VFA-000-VN | In. Valve Rocker Arm Ass'y | 1 | 90.60 | |
| 3 | 1444A-VFA-000-VN | Ex. Valve Rocker Arm Ass'y | 1 | 90.60 | |
| 4 | 14711-VFA-000-VN | Inlet Valve | 2 | 21.70 | |
| 5 | 14721-VFA-000-VN | Exhaust Valve | 2 | 51.80 | |
| 6 | 14751-VFA-000 | Valve Spring | 4 | 4.80 | |
| 7 | 14771-L1N-000-VN | Valve Spring Retainer | 4 | 2.50 | |
| 8 | 14777-L1N-000-VN | Valve Spring Seat | 4 | 3.20 | |
| 9 | 14781-L1N-000-VN | Valve Cotter | 8 | 0.80 | |
| 10 | 14451-VFA-000 | Rocker Arm Shaft | 2 | 12.70 | |

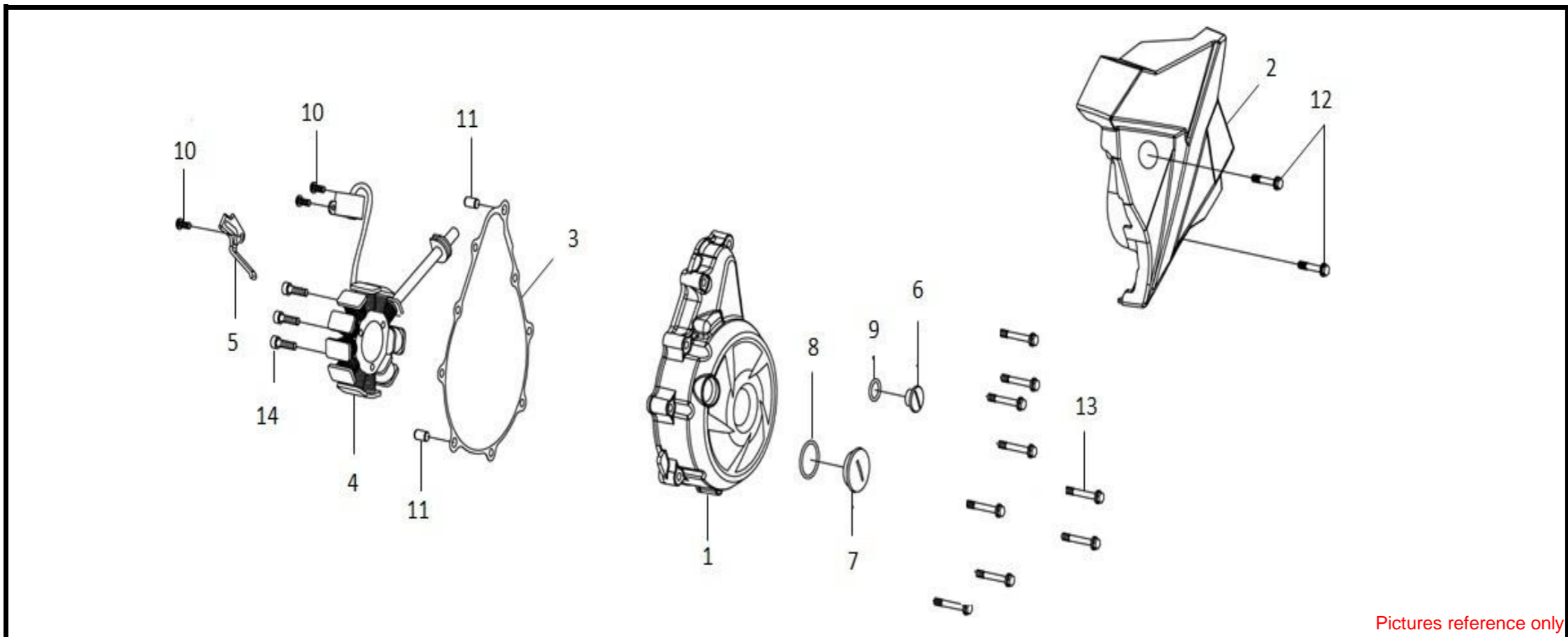
●Please check the color & stripe information according to the color index !



Pictures reference only

| No | Parts Number | Parts Name | Qty | Price (RM/pcs) | Remark |
|----|-------------------|---------------------------------|-----|----------------|---------------|
| 1 | 14100-VFA-000-VN | Cam Shaft Comp. | 1 | 250.30 | |
| 2 | 14105-VJ6-0000 | Cam Sprocket | 1 | 9.10 | |
| 3 | 14106-VF3-000 | Sprocket Washer | 1 | 1.30 | |
| 4 | 1CD SCR X 94L | Cam Chain (94L) | 1 | 61.50 | |
| 5 | 14510-F8A-0001-L1 | Cam Chain Tensioner | 1 | 29.30 | |
| 6 | 14531-M9Q-000 | Pivot Cam Chain Tensioner | 1 | 10.70 | Gold Colour |
| 6 | 14531-M9Q-0000 | Pivot Cam Chain Tensioner | 1 | 10.70 | Silver Colour |
| 7 | 14610-F8A-0001-L1 | Cam Chain Guide | 1 | 12.90 | |
| 8 | 90083-B12-000 | Knock Bolt 6 mm | 2 | 1.00 | |
| 9 | 1453A-M92-0000 | Pivot Cam Chain Tensioner Ass'y | 1 | 13.50 | Silver Colour |
| 10 | 91304-M9Q-000 | O-Ring 15.2*1.5 mm | 1 | 2.80 | |

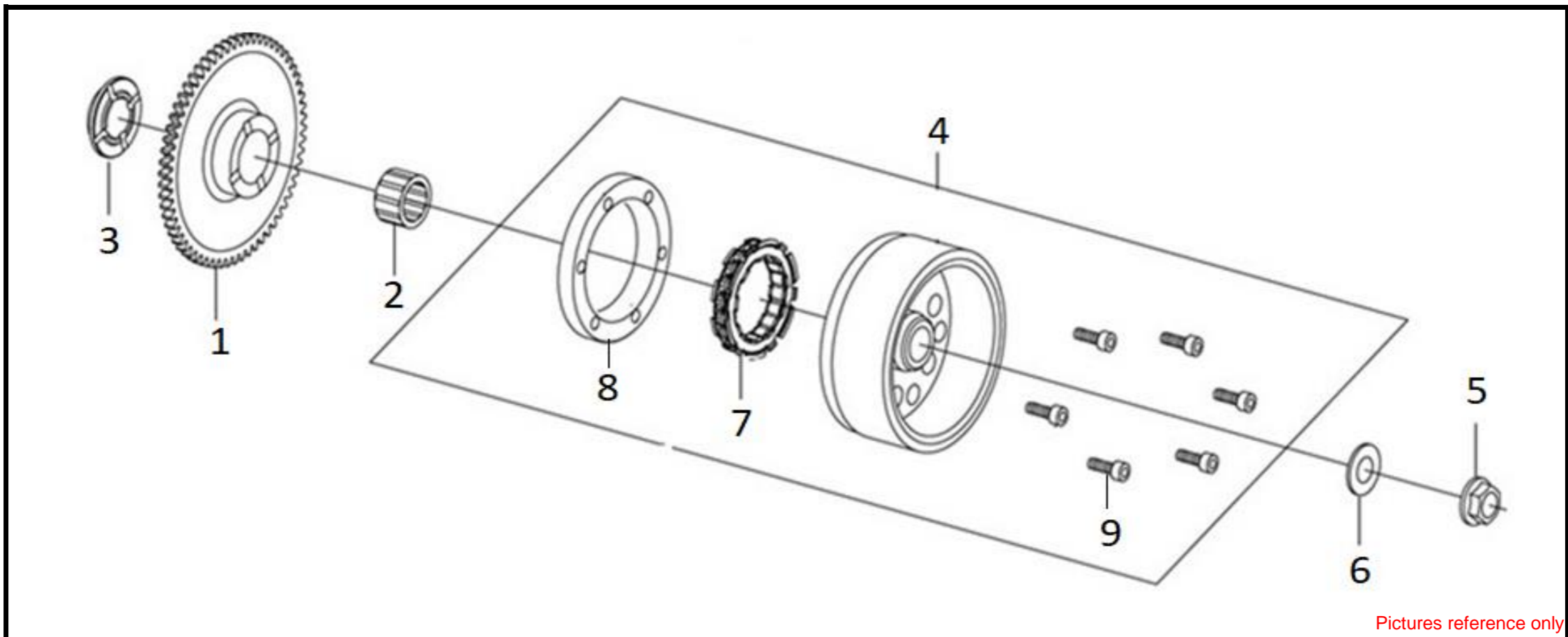
●Please check the color & stripe information according to the color index !



Pictures reference only

| No | Parts Number | Parts Name | Qty | Price (RM/pcs) | Remark |
|----|------------------|-------------------------|-----|----------------|--------|
| 1 | 11341-VF3-000-KT | L. Crank Case Cover | 1 | 136.00 | Black |
| 2 | 11361-VF3-000-KT | L. Crank Case Rr. Cover | 1 | 56.10 | Black |
| 3 | 11395-VF3-000 | L. Crank Case Gasket | 1 | 1.30 | |
| 4 | 31120-VF3-000 | Stator Comp | 1 | 157.80 | |
| 5 | 32961-VF3-000 | A.C.G. Cord Clasper | 1 | 2.30 | |
| 6 | 90084-VBA-000-KT | A.C.G. Cap 14 mm | 1 | 6.20 | Black |
| 7 | 90087-VF3-000-KT | A.C.G. Cap 33 mm | 1 | 13.00 | Black |
| 8 | 91302-M9Q-000 | O-Ring 30.8 mm | 1 | 2.90 | |
| 9 | 91304-VA2-0000 | O-Ring 13.8X2.5 mm | 1 | 1.20 | |
| 10 | 93500-05012-0A | Pan Screw 5*12 mm | 3 | 0.40 | |
| 11 | 94301-08140 | Dowel Pin 8*14 mm | 2 | 2.10 | |
| 12 | 96001-06030-00 | Sh. Flange Bolt 6*30 mm | 2 | 1.50 | |
| 13 | 96001-06040-00 | Sh. Flange Bolt 6*40 mm | 9 | 0.90 | |
| 14 | 96700-06018-07 | Socket Bolt 6*18 mm | 3 | 0.90 | |

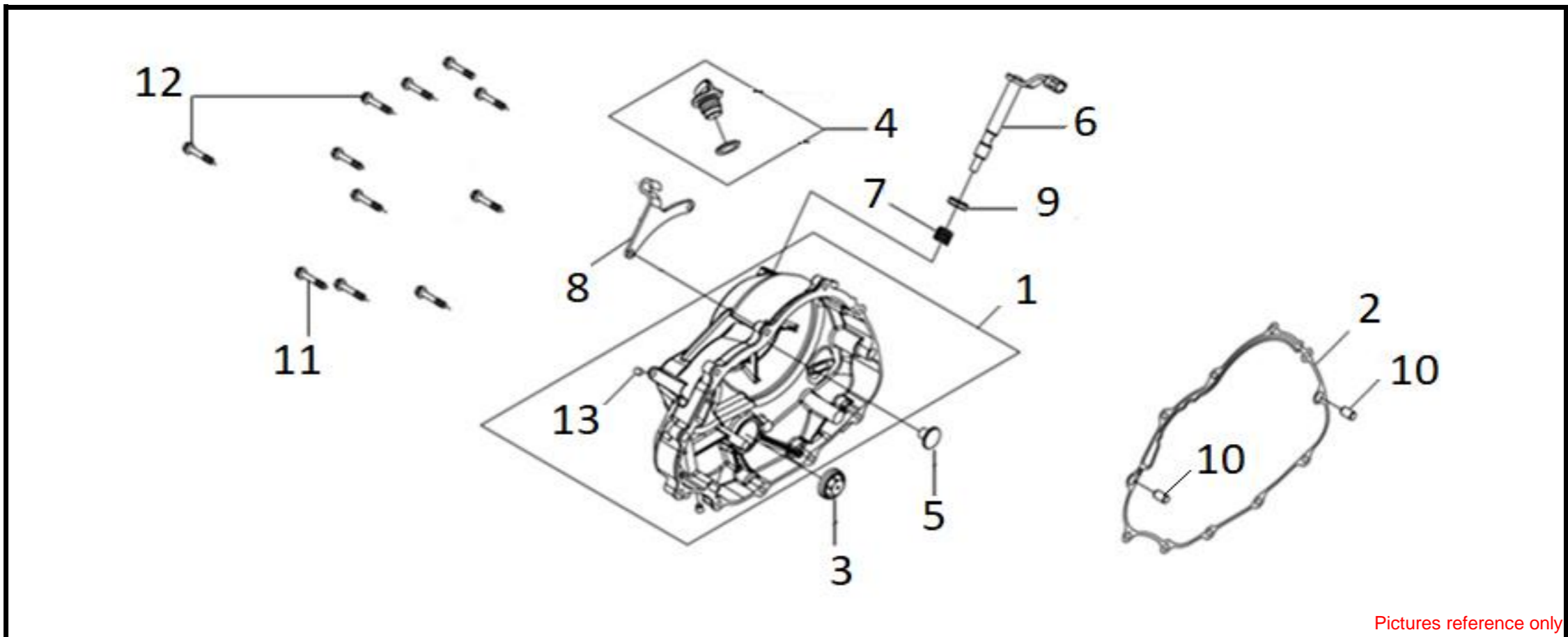
●Please check the color & stripe information according to the color index !



Pictures reference only

| No | Parts Number | Parts Name | Qty | Price (RM/pcs) | Remark |
|----|------------------|------------------------------|-----|----------------|--------|
| 1 | 28110-VF3-000-VN | Starting Driven Gear | 1 | 138.20 | |
| 2 | 28112-BHA-000 | Needle Bearing KT22X29X17.8S | 1 | 19.90 | |
| 3 | 28115-VF3-000-L1 | Starter Driven Gear Collar | 1 | 20.30 | |
| 4 | 3111A-VF3-000 | Flywheel Ass'y | 1 | 280.50 | |
| 5 | 90201-KR8-751-M1 | Flange Nut 14 mm | 1 | 5.60 | |
| 6 | 90401-KJ9-000 | Thrust Washer 14.2*28*2 mm | 1 | 3.10 | |
| 7 | 28120-VF3-000-VN | One Way Clutch Comp. | 1 | 99.40 | |
| 8 | 28128-VF3-000-VN | Starting Clutch Outer | 1 | 38.90 | |
| 9 | 90001-VF3-000 | Socket Bolt 6*18 mm | 6 | 1.30 | |

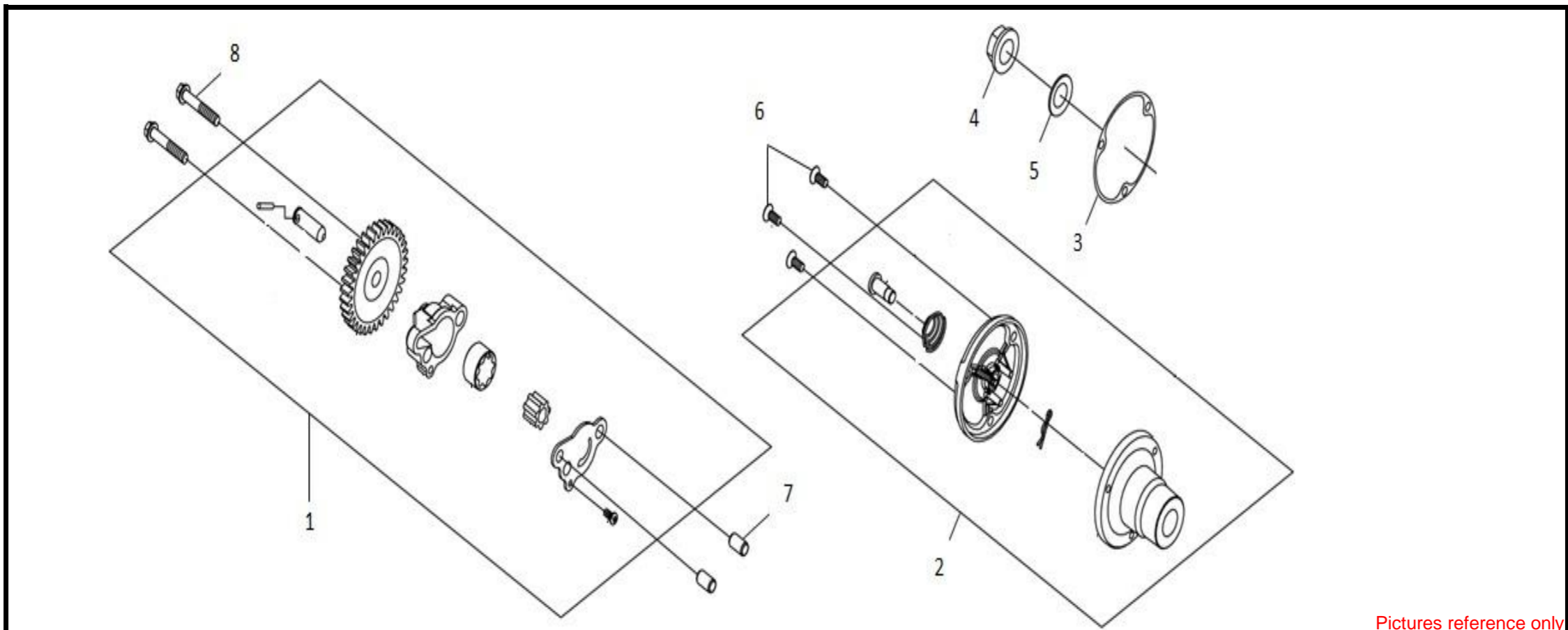
●Please check the color & stripe information according to the color index !



Pictures reference only

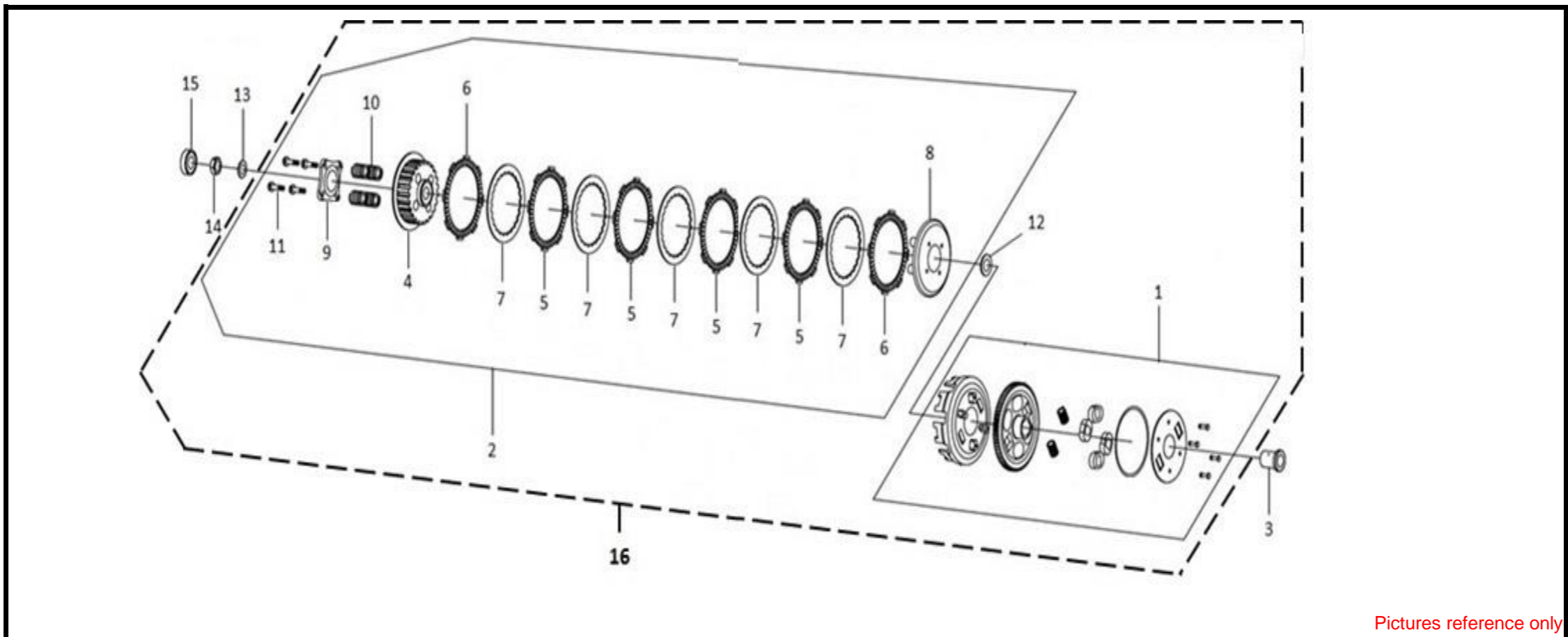
| No | Parts Number | Parts Name | Qty | Price (RM/pcs) | Remark |
|----|------------------|---------------------------|-----|----------------|--------|
| 1 | 11330-VF3-000-KT | R. Crank Case Cover Comp. | 1 | 175.00 | Black |
| 2 | 11393-VF3-000 | Right Case Cover Gasket | 1 | 19.30 | |
| 3 | 15652-B9A-000 | Oil Level Gauge | 1 | 16.80 | |
| 4 | 1565A-B9A-000 | Oil Filler Cap Ass'y | 1 | 4.70 | |
| 5 | 22366-VF3-000 | Clutch Lifter Rod | 1 | 2.70 | |
| 6 | 22810-VF3-000-VN | Clutch Lever Comp. | 1 | 21.70 | |
| 7 | 22815-BAD-000 | Clutch Lever Spring | 1 | 1.40 | |
| 8 | 22838-VF3-000 | Clutch Wire Holder | 1 | 6.60 | |
| 9 | 91205-KF0-003 | Oil Seal 12*20*5 mm | 1 | 5.00 | |
| 10 | 94301-08140 | Dowel Pin 8*14 mm | 2 | 2.10 | |
| 11 | 96001-06030-00 | Sh. Flange Bolt 6*30 mm | 9 | 1.50 | |
| 12 | 96001-06040-00 | Sh. Flange Bolt 6*40 mm | 2 | 0.90 | |
| 13 | 96205-06007 | Cone Type Plug 6*7 mm | 2 | 0.90 | |

●Please check the color & stripe information according to the color index !



| No | Parts Number | Parts Name | Qty | Price (RM/pcs) | Remark |
|----|------------------|-----------------------------|-----|----------------|--------|
| 1 | 15100-VF3-000-VN | Oil Pump Ass'y | 1 | 87.50 | |
| 2 | 1543A-VF3-000-VN | Oil Filter Ass'y | 1 | 41.10 | |
| 3 | 15459-M2Q-0000 | Oil Filter Rotor Cap Gasket | 1 | 2.30 | |
| 4 | 90201-KR8-751-M1 | Flange Nut 14 mm | 1 | 5.60 | |
| 5 | 90432-A01-A000 | Lock Washer (B) 14 mm | 1 | 0.70 | |
| 6 | 93700-05012-0H | Oval Screw 5*12 mm | 3 | 0.80 | |
| 7 | 94301-08140 | Dowel Pin 8*14 mm | 2 | 2.10 | |
| 8 | 95701-06035-00 | Flange Bolt 6*35 mm | 2 | 1.30 | |

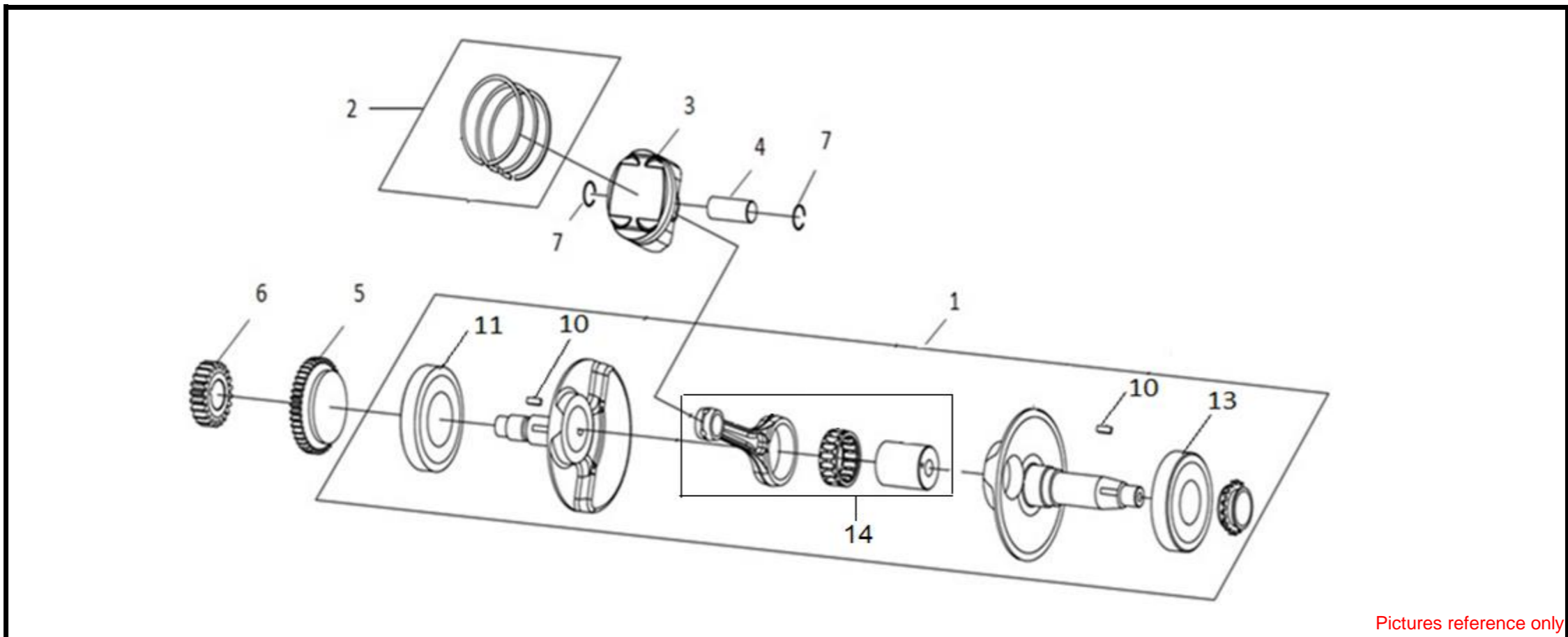
●Please check the color & stripe information according to the color index !



Pictures reference only

| No | Parts Number | Parts Name | Qty | Price (RM/pcs) | Remark |
|----|-------------------|------------------------|-----|----------------|--------|
| 1 | 22100-VF5-000-VN | Clutch Outer Comp. | 1 | 226.60 | |
| 2 | 2210A-VF5-000-VN | Clutch Center Ass'y | 1 | 210.20 | |
| 3 | 22115-VF3-000 | Clutch Center Guide | 1 | 25.60 | |
| 4 | 22121-VF5-000-VN | Clutch Center | 1 | 31.10 | |
| 5 | 22201-VF5-000-VN | Clutch Friction Disk A | 4 | 19.30 | |
| 6 | 22202-VF5-000-VN | Clutch Friction Disk B | 2 | 19.30 | |
| 7 | 22311-VF5-000-VN | Clutch Plate | 5 | 4.60 | |
| 8 | 22355-VF5-000-VN | Clutch Pressure Plate | 1 | 17.30 | |
| 9 | 22361-VF5-000-VN | Clutch Lifter Plate | 1 | 7.00 | |
| 10 | 22401-VF5-000-VN | Clutch Spring | 4 | 2.30 | |
| 11 | 90008-VF5-000-VN | Flange Bolt 6*25 mm | 4 | 0.70 | |
| 12 | 90405-VF5-000-VN | Clutch Washer 17 mm | 1 | 1.40 | |
| 13 | 90432-A01-A000 | Lock Washer (B) 14 mm | 1 | 0.70 | |
| 14 | 94031-14200 | Hex Nut 14 mm | 1 | 2.70 | |
| 15 | 96100-60030-00-VN | Radial Ball Brg. 6003 | 1 | 20.30 | |
| 16 | 2200A-VF5-000-VN | Clutch Outer Ass'y | 1 | 461.80 | |

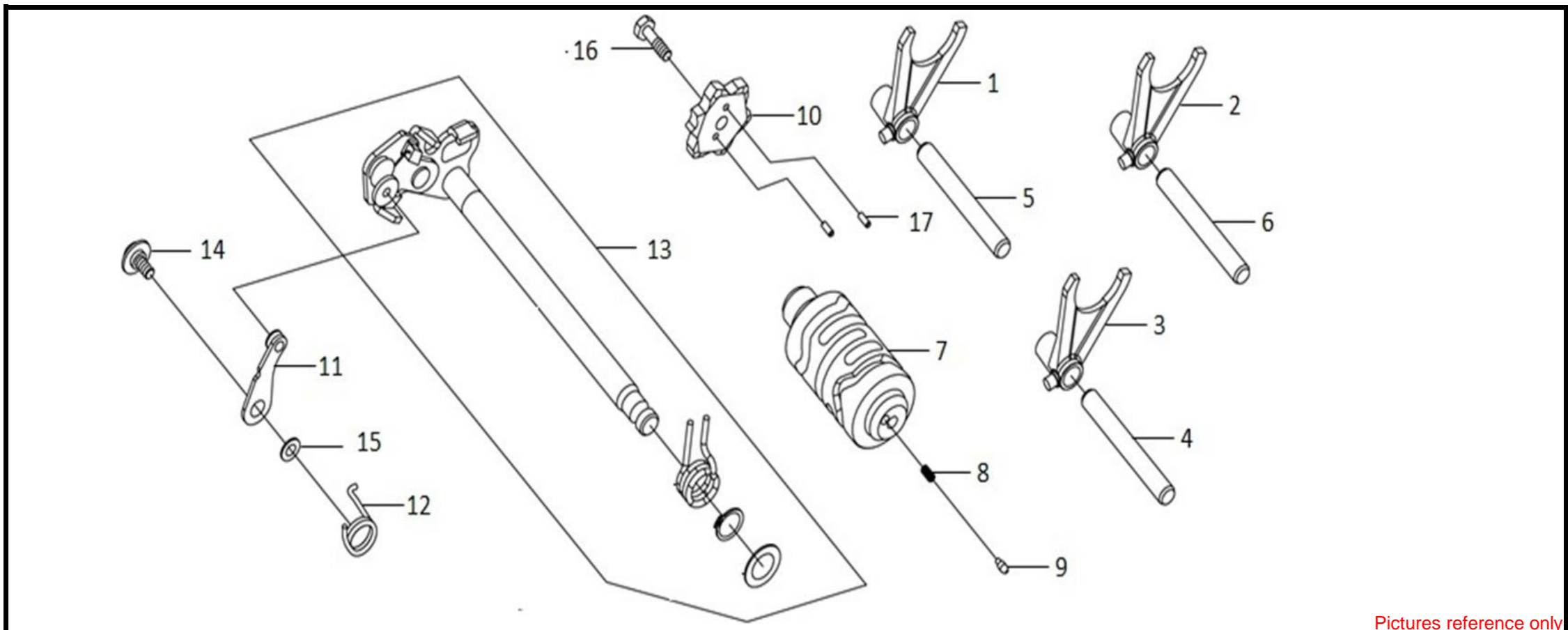
●Please check the color & stripe information according to the color index !



Pictures reference only

| No | Parts Number | Parts Name | Qty | Price (RM/pcs) | Remark |
|----|------------------|---------------------------|-----|----------------|--------|
| 1 | 13000-VF5-000-VN | Crank Shaft Comp. | 1 | 433.10 | |
| 2 | 13010-VF3-000 | Piston Ring Set | 1 | 64.80 | |
| 3 | 13101-VF3-000 | Piston | 1 | 45.40 | |
| 4 | 13111-M4Q-0000 | Piston Pin | 1 | 15.00 | |
| 5 | 13411-VF3-000-VN | Balance Drive Gear (41T) | 1 | 102.70 | |
| 6 | 23121-VF5-000-VN | Primary Drive Gear | 1 | 36.60 | |
| 7 | 94601-15000 | Piston Pin Clip 15 mm | 2 | 0.80 | |
| 10 | 90702-BHA-000 | Woodruff Key 25*14*4.6 mm | 2 | 6.20 | |
| 11 | 91001-F6A-300 | Radial Ball Brg. Csb207C3 | 1 | 82.90 | |
| 13 | 91002-H9A-000 | Radial Ball Brg. Tmb3/28 | 1 | 82.70 | |
| 14 | 1320A-VF5-0000 | Connecting Rod Ass'y. | 1 | 130.00 | |

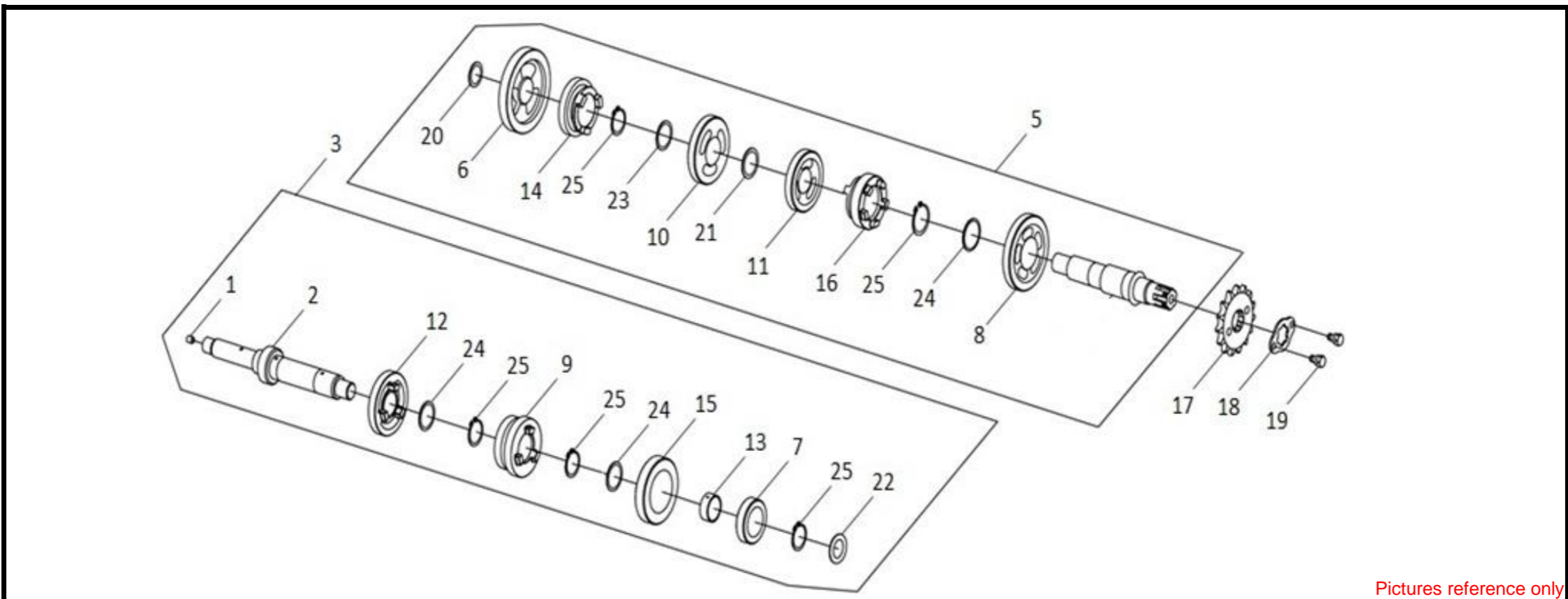
●Please check the color & stripe information according to the color index !



Pictures reference only

| No | Parts Number | Parts Name | Qty | Price (RM/pcs) | Remark |
|----|------------------|------------------------------|-----|----------------|--------|
| 1 | 24211-VF3-000-VN | R. Gear Shift Fork | 1 | 23.80 | |
| 2 | 24212-VF3-000-VN | Center Gear Shift Fork | 1 | 23.80 | |
| 3 | 24213-VF3-000-VN | L. Gear Shift Fork | 1 | 23.80 | |
| 4 | 24241-VF5-000-VN | L. Gear Shift Fork Shaft | 1 | 9.10 | |
| 5 | 24242-VF5-000-VN | R. Gear Shift Fork Shaft | 1 | 9.10 | |
| 6 | 24243-VF5-000-VN | Center Gear Shift Fork Shaft | 1 | 12.10 | |
| 7 | 24301-VF3-000-VN | Gear Shift Drum | 1 | 69.10 | |
| 8 | 24319-VF3-000 | Gear Indication Drill Spr. | 1 | 0.90 | |
| 9 | 24323-VF3-000 | Gear Indication Drill | 1 | 0.50 | |
| 10 | 24410-VF3-000-VN | Shift Cam Plate Comp. | 1 | 38.90 | |
| 11 | 24430-VF3-000-VN | Shift Drum Stopper Comp. | 1 | 7.00 | |
| 12 | 24435-BAD-000 | Shift Drum Stopper Spring | 1 | 2.70 | |
| 13 | 2461A-VF3-000-VN | Gear Shift Spindle Ass'y | 1 | 56.10 | |
| 14 | 90023-VF3-000 | Stopper Arm Pivot Bolt | 1 | 0.90 | |
| 15 | 90479-X01-0000 | Washer | 1 | 0.80 | |
| 16 | 92101-06020-0H | Hex Bolt 6*20 mm | 1 | 1.20 | |
| 17 | 96220-30085 | Roller 3*8.5 mm | 2 | 0.80 | |

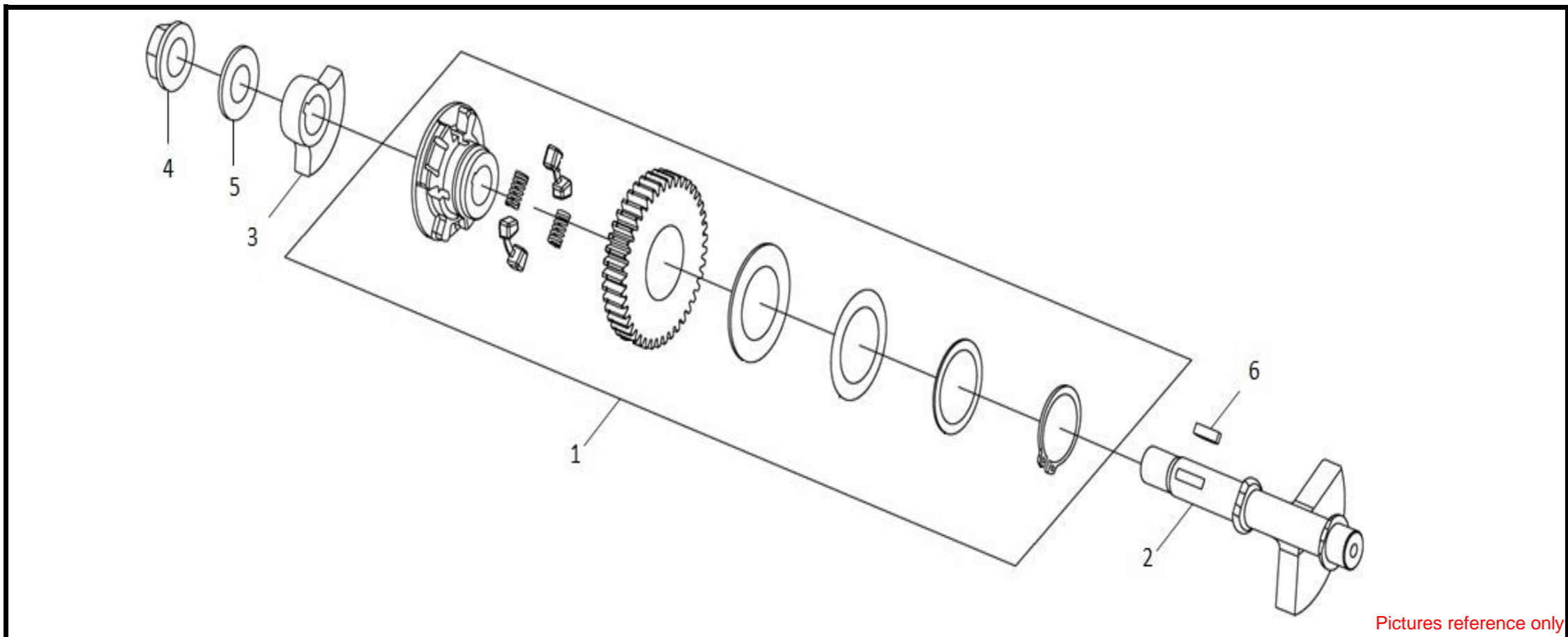
●Please check the color & stripe information according to the color index !



Pictures reference only

| No | Parts Number | Parts Name | Qty | Price (RM/pcs) | Remark |
|----|------------------|----------------------------|-----|----------------|--------|
| 1 | 11133-VF5-300 | Oil Orifice 6*7 mm | 1 | 2.70 | |
| 2 | 23210-VF5-000-VN | Main Shaft Comp. | 1 | 108.00 | |
| 3 | 2321A-VF5-000-VN | Main Shaft Ass'y | 1 | 323.70 | |
| 5 | 2322A-VF5-000-VN | Counter Shaft Ass'y | 1 | 445.00 | |
| 6 | 23426-VF5-000-VN | C-1 Gear Comp. | 1 | 86.70 | |
| 7 | 23441-VF5-000-VN | M-2 Gear | 1 | 30.30 | |
| 8 | 23451-VF5-000-VN | C-2 Gear | 1 | 73.40 | |
| 9 | 23461-VF5-000-VN | M3 & M4 Gear | 1 | 92.90 | |
| 10 | 23471-VF5-000-VN | C-3 Gear | 1 | 64.80 | |
| 11 | 23491-VF5-000-VN | C-4 Gear | 1 | 56.10 | |
| 12 | 23501-VF5-000-VN | M-5 Gear | 1 | 56.10 | |
| 13 | 23502-VF5-000-VN | M6 Collar | 1 | 28.50 | |
| 14 | 23511-VF5-000-VN | C-5 Gear | 1 | 49.70 | |
| 15 | 23521-VF5-000-VN | M-6 Gear | 1 | 75.50 | |
| 16 | 23531-VF5-000-VN | C-6 Gear | 1 | 86.30 | |
| 17 | 23801-BHA-000 | Drive Sprocket 15T | 1 | 10.70 | |
| 18 | 23811-NJA-000 | Drive Spr. Fixing Plate | 1 | 4.10 | |
| 19 | 90084-041-000A | Drive Sprocket Fixing Bolt | 2 | 0.70 | |
| 20 | 90404-VF5-000-VN | Thrust Washer 17.2*23*1 mm | 1 | 2.30 | |
| 21 | 90406-VF5-000-VN | Thrust Washer 22.2*26*1 mm | 1 | 2.30 | |
| 22 | 90452-VF5-000-VN | Thrust Washer 16 mm | 1 | 1.70 | |
| 23 | 90453-VF5-000-VN | Spline Washer | 1 | 4.40 | |
| 24 | 90455-VF5-000-VN | Spline Washer | 3 | 4.40 | |
| 25 | 90603-VF5-000-VN | Ex. Circlip | 5 | 1.70 | |

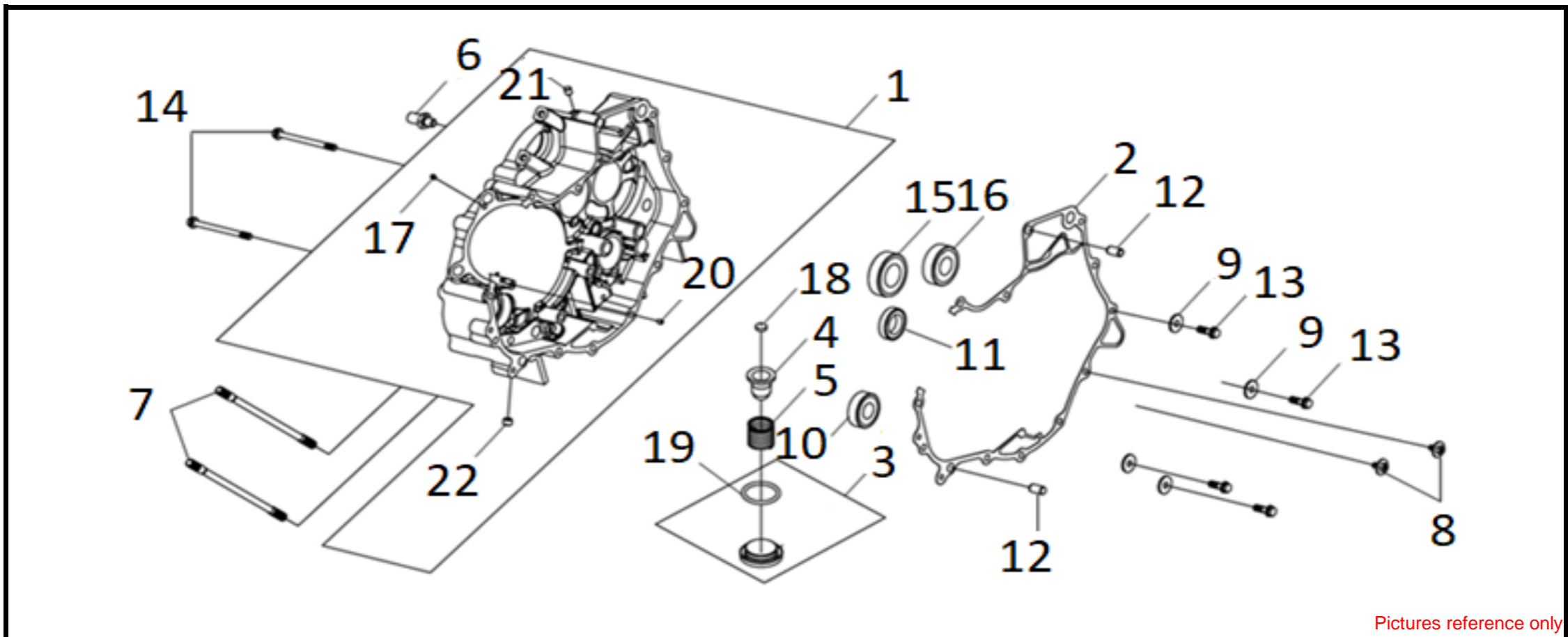
●Please check the color & stripe information according to the color index !



Pictures reference only

| No | Parts Number | Parts Name | Qty | Price (RM/pcs) | Remark |
|----|------------------|----------------------------|-----|----------------|--------------------------|
| 1 | 1333A-VF3-000-VN | Balance Driven Gaer Ass'y | 1 | 171.80 | |
| 2 | 13301-VFA-000-VN | Balance Shaft | 1 | 120.90 | |
| 3 | 13429-VF3-000-VN | Balance Weight | 1 | 23.80 | provide while stock last |
| 4 | 90201-KR8-751-M1 | Flange Nut 14 mm | 1 | 5.60 | |
| 5 | 90401-KJ9-000 | Thrust Washer 14.2*28*2 mm | 1 | 3.10 | |
| 6 | 90702-BHA-000 | Woodruff Key 25*14*4.6 mm | 1 | 6.20 | |

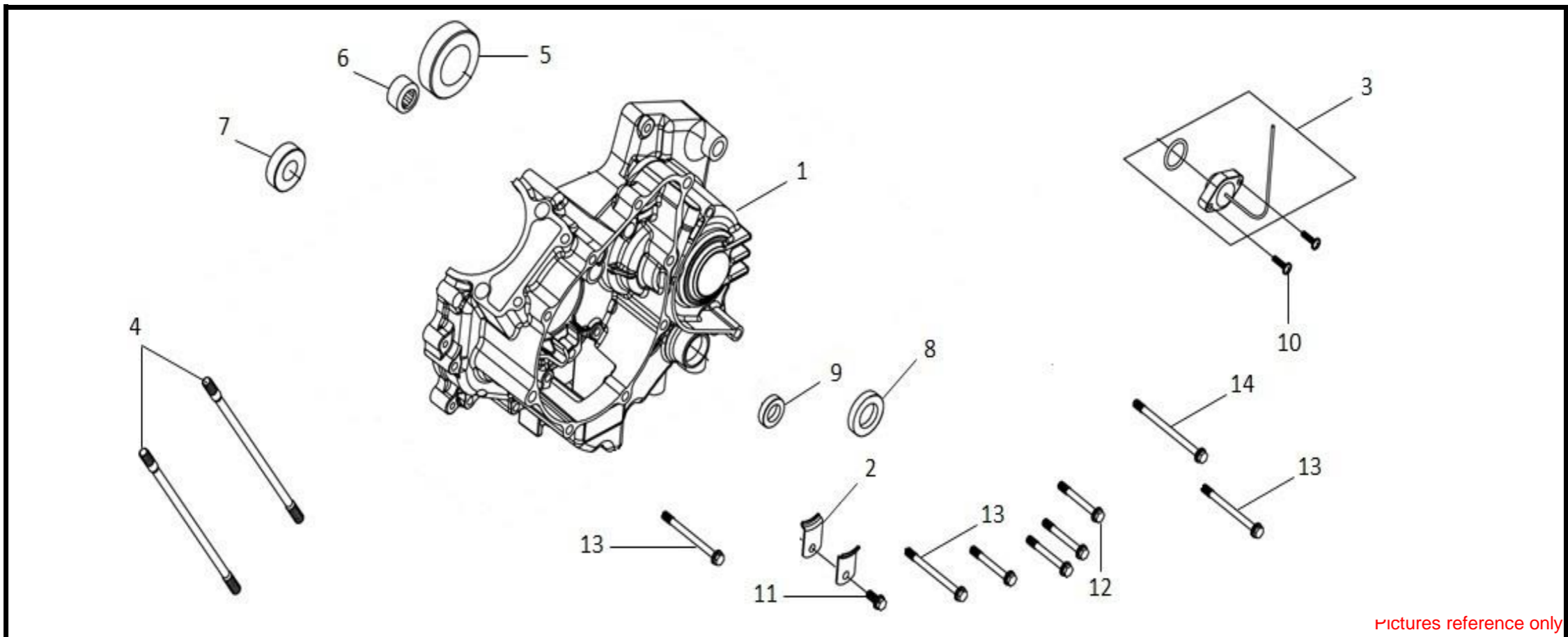
●Please check the color & stripe information according to the color index !



Pictures reference only

| No | Parts Number | Parts Name | Qty | Price (RM/pcs) | Remark |
|----|-------------------|---------------------------------|-----|----------------|--------|
| 1 | 11100-VF3-000-FG | Right Crank Case Comp. | 1 | 242.80 | |
| 2 | 11191-VF3-000 | Crank Case Gasket | 1 | 20.00 | |
| 3 | 1236A-M9T-000 | Tappet Adjusting Hole Cap Ass'y | 1 | 13.50 | |
| 4 | 15421-H66-0000-VN | Oil Filter Screen | 1 | 10.90 | |
| 5 | 15426-M9Q-000 | Oil Filter Screen Spring | 1 | 1.20 | |
| 6 | 24652-VF3-000 | Shift Arm Stopper Pin | 1 | 1.70 | |
| 7 | 90031-L1N-000-L1 | Cyl. Stud Bolt A | 2 | 8.70 | |
| 8 | 90302-M9Q-0000 | Washer Bolt 5*12 mm | 2 | 0.80 | |
| 9 | 90401-B9D-000-L1 | Washer 6.2*18*1.6 mm | 4 | 0.90 | |
| 10 | 96100-62020-00 | Radial Ball Brg. Csb202 | 1 | 15.40 | |
| 11 | 91008-BAA-000 | Radial Ball Bearing 6804 | 1 | 38.10 | |
| 12 | 94301-08140 | Dowel Pin 8*14 mm | 2 | 2.10 | |
| 13 | 96001-06016-00 | Sh. Flange Bolt 6*16 mm | 4 | 0.80 | |
| 14 | 96001-06065-00 | Sh Flange Bolt 6*65 mm | 2 | 2.10 | |
| 15 | 96100-60040-10-VN | Radial Ball Bearing 6004 | 1 | 21.10 | |
| 16 | 96140-62030-00-VN | Radial Ball Bearing 6203Z | 1 | 17.30 | |
| 17 | 11107-VF3-300-K1 | Oil Orifice A | 1 | 2.30 | |
| 18 | 11109-H68-0000-VN | Magnet | 1 | 6.00 | |
| 19 | 91302-M9Q-000 | O-Ring 30.8 mm | 1 | 2.90 | |
| 20 | 96205-04005 | Cone Type Plug 4*5 mm | 1 | 0.90 | |
| 21 | 96205-06007 | Cone Type Plug 6*7 mm | 1 | 0.90 | |
| 22 | 96205-08006 | Cone Type Plug 8*6 mm | 1 | 1.30 | |

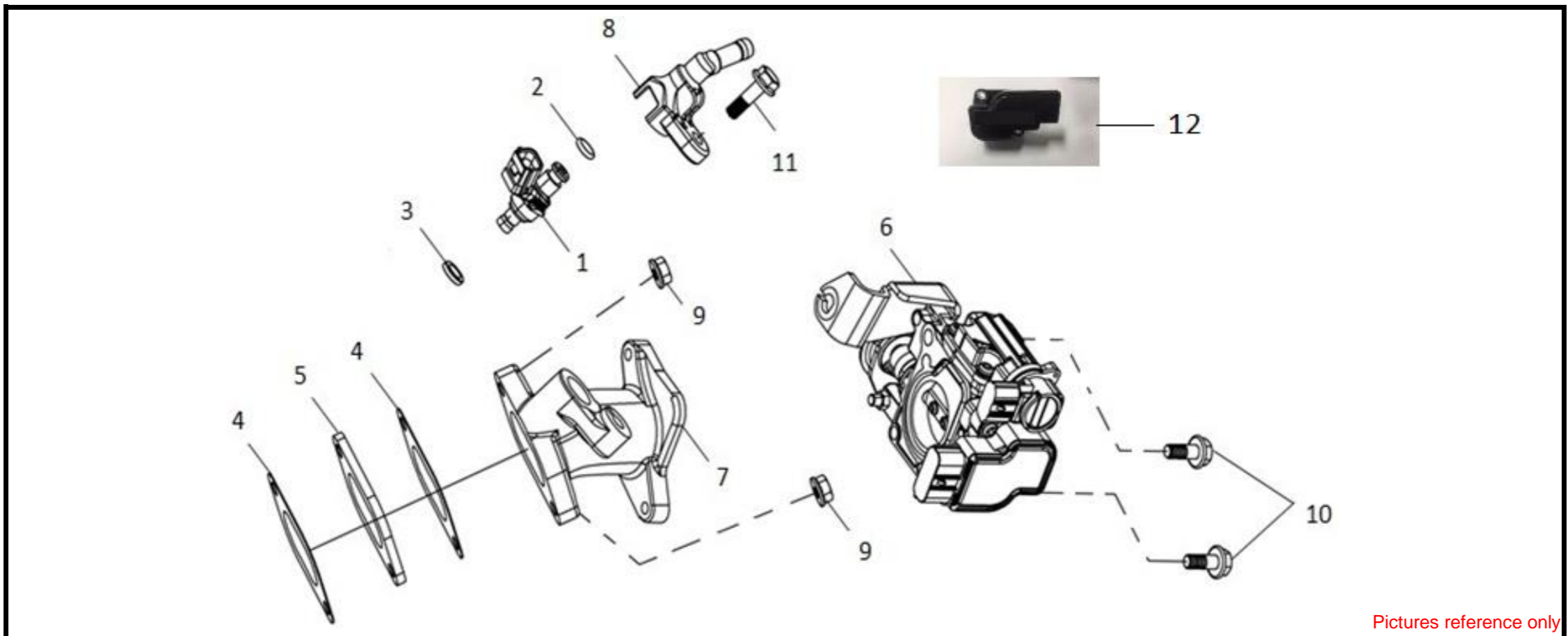
●Please check the color & stripe information according to the color index !



Pictures reference only

| No | Parts Number | Parts Name | Qty | Price (RM/pcs) | Remark |
|----|------------------|---------------------------|-----|----------------|--------|
| 1 | 11200-VF3-000-FG | L. Crank Case Comp. | 1 | 283.30 | |
| 2 | 14151-VF3-000 | Cam Chain Setting Plate | 2 | 1.70 | |
| 3 | 35759-VF3-000-VN | Change Switch Ass'y | 1 | 33.40 | |
| 4 | 90031-HE1-000-L1 | Cylinder Stud Bolt A | 2 | 8.70 | |
| 5 | 91001-H6B-300 | Radial Ball Brg. 63/22 | 1 | 64.30 | |
| 6 | 91002-BAA-000 | Needle Brg. NK16*24*16 mm | 1 | 114.00 | |
| 7 | 96100-62020-00 | Radial Ball Brg. CSB202 | 1 | 15.40 | |
| 8 | 91201-B06-000 | Oil Seal 20*34*7 mm | 1 | 6.90 | |
| 9 | 91201-M36-000-L1 | Oil Seal 14*24*6 mm | 1 | 4.80 | |
| 10 | 93891-04016-08 | Washer Screw 4*16 mm | 2 | 0.90 | |
| 11 | 96001-06012-00 | Sh. Flange Bolt 6*12 mm | 1 | 1.20 | |
| 12 | 96001-06045-08 | Sh. Flange Bolt 6*45 mm | 9 | 2.10 | |
| 13 | 96001-06065-00 | Sh Flange Bolt 6*65 mm | 3 | 2.10 | |
| 14 | 96001-06080-00 | Sh. Flange Bolt 6*80 mm | 1 | 2.20 | |

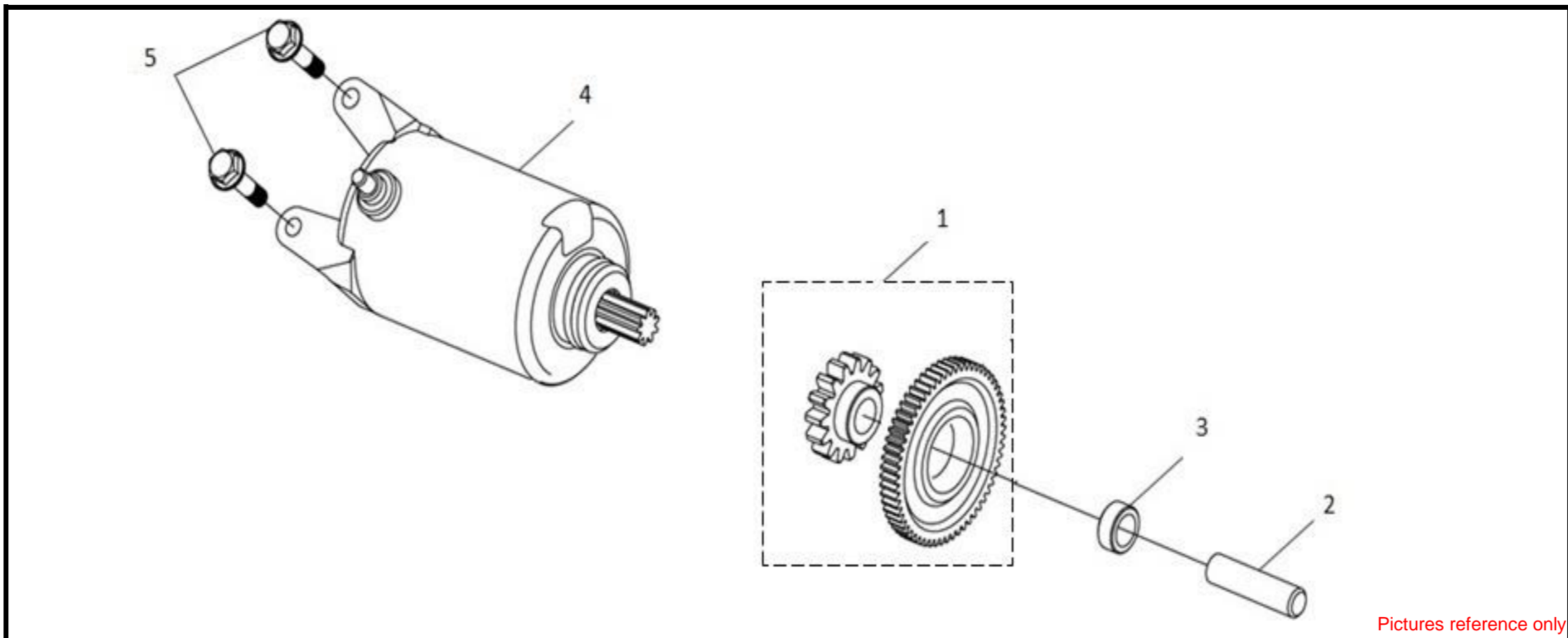
●Please check the color & stripe information according to the color index !



Pictures reference only

| No | Parts Number | Parts Name | Qty | Price (RM/pcs) | Remark |
|----|------------------|---|-----|----------------|--------|
| 1 | 06414-FZK-000-L1 | Fuel Injector | 1 | 145.00 | |
| 2 | 06415-AVA-000-L1 | O-Ring | 1 | 4.40 | |
| 3 | 06416-HNS-000 | Seal-Ring | 1 | 10.20 | |
| 4 | 16201-VF3-000 | Insulator Gasket | 2 | 0.60 | |
| 5 | 16211-VF3-000 | Insulator | 1 | 3.50 | |
| 6 | 16401-VFA-000-01 | Throttle Body Ass'y | 1 | 604.30 | |
| 7 | 17110-VF3-000 | Inlet Pipe | 1 | 60.50 | |
| 8 | 17120-VF3-000-VN | Fuel Injector Cap | 1 | 19.50 | |
| 9 | 94050-06000 | Flange Nut 6 mm | 2 | 0.80 | |
| 10 | 96001-06016-00 | Sh. Flange Bolt 6*16 mm | 2 | 0.80 | |
| 11 | 96001-06025-07 | Sh. Flange Bolt 6*25 mm | 1 | 0.90 | |
| 12 | 1640A-VF3-0000 | Throttle Position Sensor Service Part Set | 1 | 160.00 | |

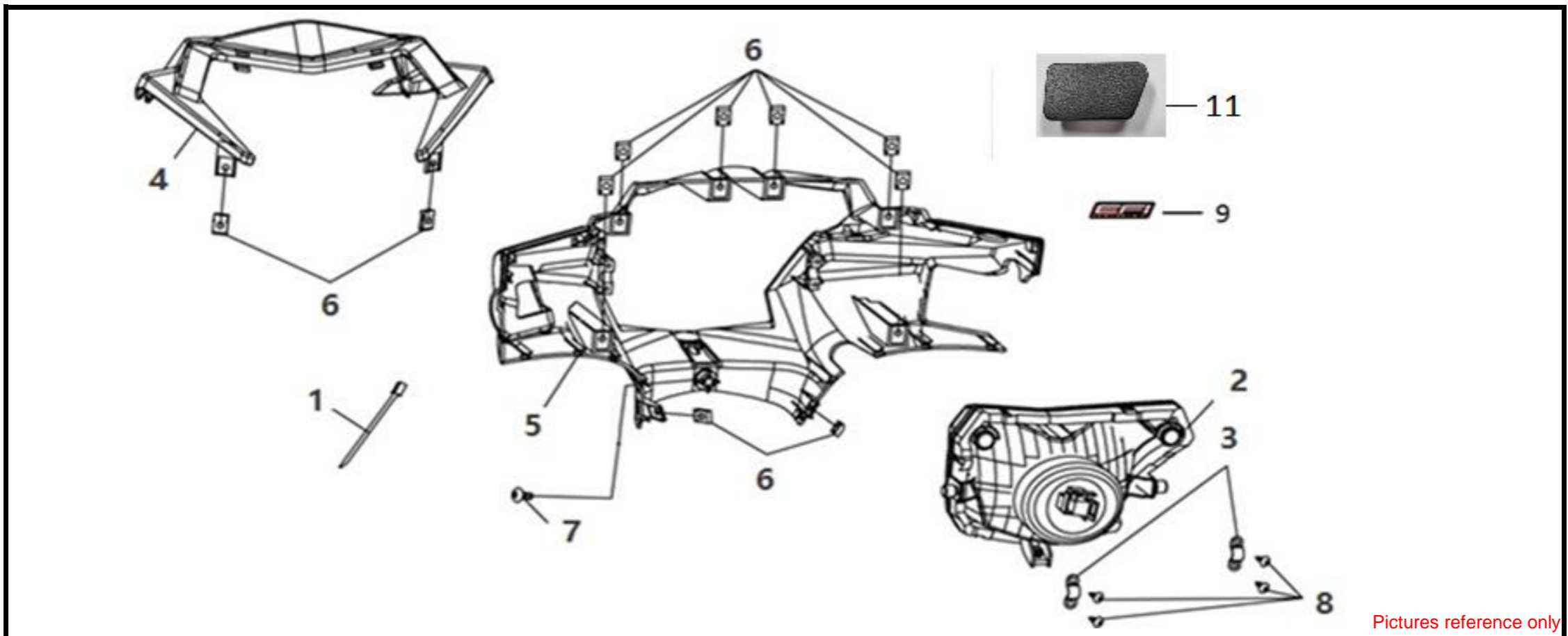
●Please check the color & stripe information according to the color index !



Pictures reference only

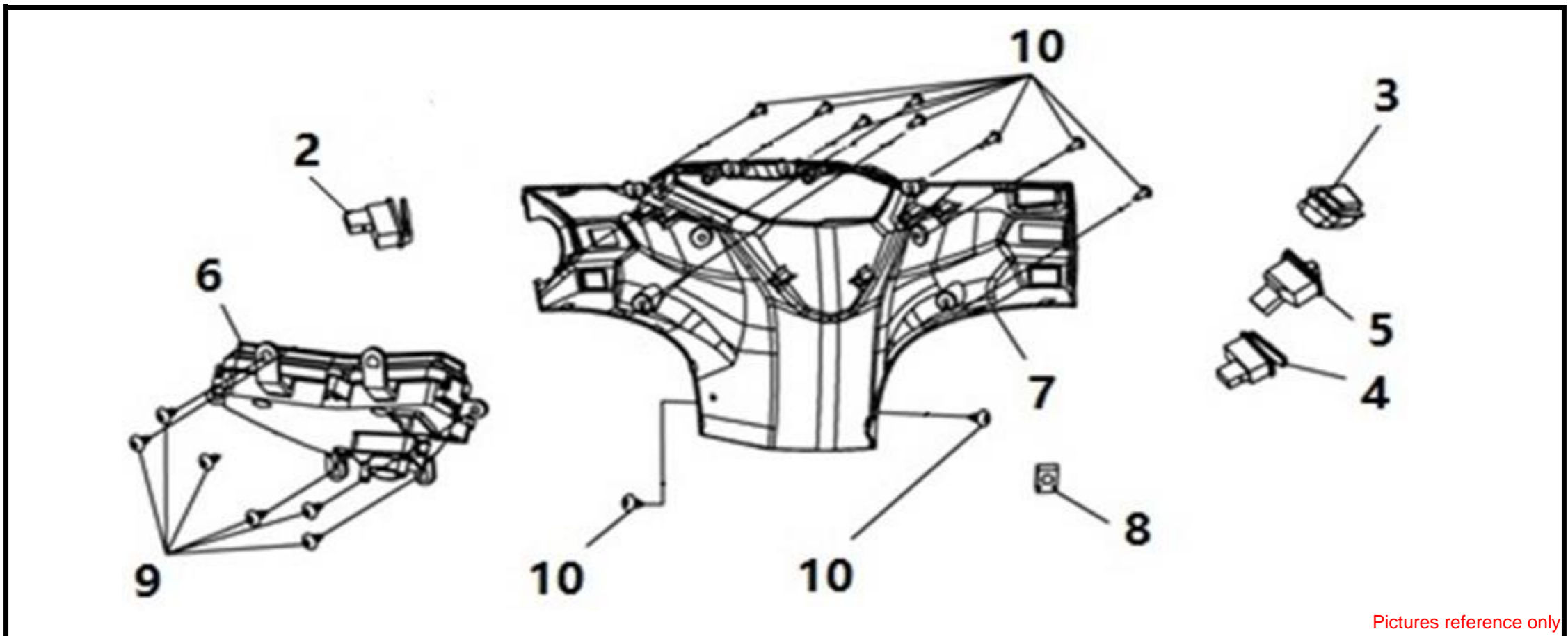
| No | Parts Number | Parts Name | Qty | Price (RM/pcs) | Remark |
|----|------------------|-------------------------------|-----|----------------|--------|
| 1 | 28100-VF3-000-VN | Starting Reduction Gear Comp. | 1 | 63.30 | |
| 2 | 28102-BAA-000 | Start Reduction Gear Shaft | 1 | 5.70 | |
| 3 | 28133-VF3-000 | Starting Reduction Collar | 1 | 4.40 | |
| 4 | 31200-VF3-000 | Start Motor Ass'y | 1 | 295.00 | |
| 5 | 96001-06025-07 | Sh. Flange Bolt 6*25 mm | 2 | 0.90 | |

●Please check the color & stripe information according to the color index !



| No | Parts Number | Parts Name | Qty | Price (RM/pcs) | Remark |
|-----|------------------|-----------------------------------|-----|----------------|--|
| 1 | 32161-T15-000 | Wire Band 250 mm | 1 | 5.90 | |
| 2 | 33100-VF3-000-VN | Head Light Ass'y | 1 | 200.00 | |
| 2.1 | 34901-X06-0000 | Head Light Bulb (Hs1 12V 35W/35W) | 1 | 64.60 | |
| 2.2 | 33101-VF3-000-VN | Head Ligh Lens | 1 | 64.80 | |
| 3 | 33107-A7A-000 | Head Light Plate | 2 | 1.70 | |
| 4 | 53204-VF3-000-KT | Meter Cover (BK-501U) | 1 | 48.30 | Black (for Matte Black/ Green Bike) |
| 4 | 53204-VF3-000-OE | Meter Cover (OR-1655C) | 1 | 48.30 | Orange (for Matt Gray/ Orange Bike) |
| 5 | 53205-VF3-000-KT | Fr. Handle Cover (BK-501U) | 1 | 43.30 | Black (for Matte Black/ Green Bike) |
| 5 | 53205-VF3-000-IF | Fr. Handle Cover (GY-097) | 1 | 43.30 | Matt Gray (for Matt Gray/ Orange Bike) |
| 6 | 90302-SA4-003B | Nut Spring 4 mm | 10 | 0.80 | |
| 7 | 93891-05014-07 | Washer Screw 5*14 mm | 1 | 0.50 | |
| 8 | 93903-34320 | Tapping Screw 4*12 mm | 4 | 0.90 | |
| 9 | 87148-VWA-0003 | EFI Emblem | 1 | 10.50 | |
| 11 | 53207-A3M-0001 | Lighting Sw. Cap | 1 | 5.20 | |

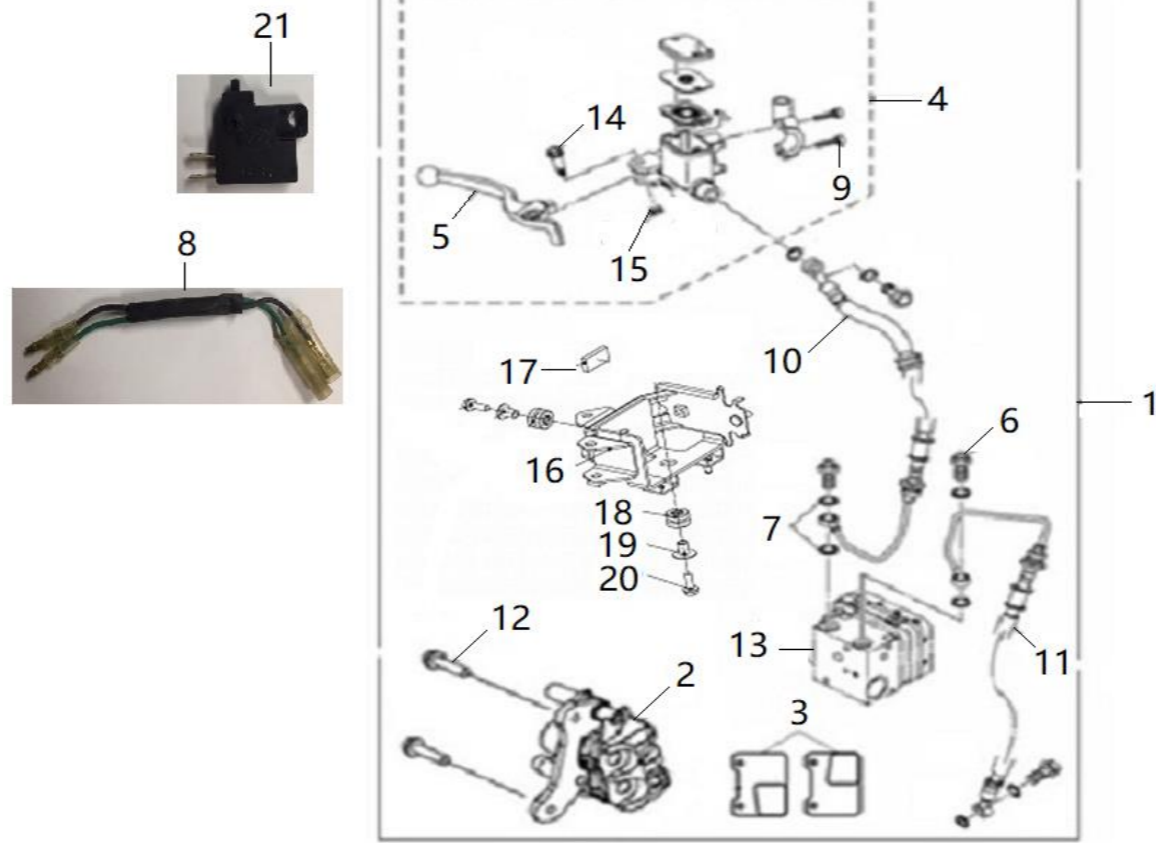
●Please check the color & stripe information according to the color index !



Pictures reference only

| No | Parts Number | Parts Name | Qty | Price (RM/pcs) | Remark |
|----|------------------|---------------------------|-----|----------------|--------|
| 2 | 35160-KAS-0000 | Start Sw. Unit | 1 | 12.10 | |
| 3 | 35170-M9Q-0001 | Dimmer . Passing Sw. Unit | 1 | 23.40 | |
| 4 | 35180-KAS-0000 | Horn Sw.Unit | 1 | 13.00 | |
| 5 | 35200-M9Q-000 | Winker Sw. Unit | 1 | 14.50 | |
| 6 | 37200-VFA-000-K2 | Speedometer Assy | 1 | 663.00 | |
| 7 | 53206-VF3-000 | Rr. Handle Cover | 1 | 20.00 | Black |
| 8 | 90302-SA4-003B | Nut Spring 4 mm | 11 | 0.80 | |
| 9 | 93903-35220 | Tapping Screw 5*12 mm | 6 | 1.20 | |
| 10 | 93903-44480 | Tapping Screw 4*16 mm | 10 | 0.70 | |

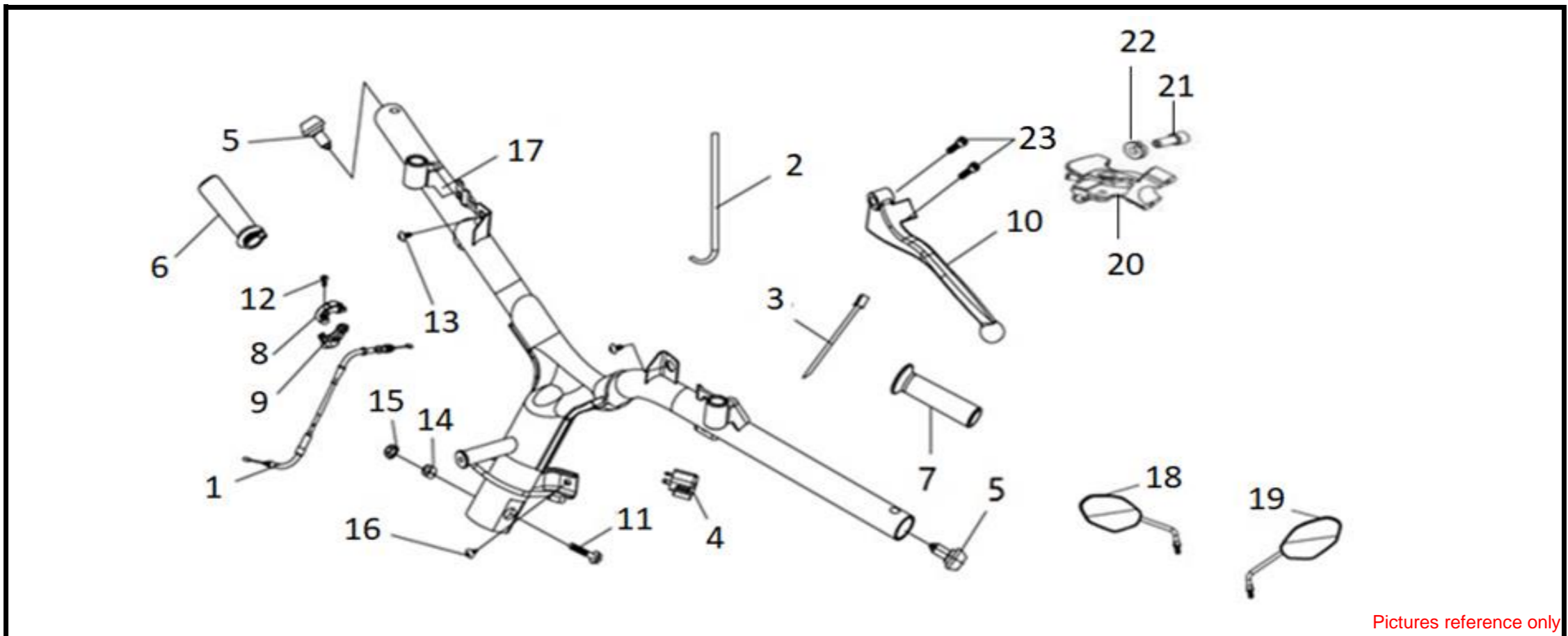
●Please check the color & stripe information according to the color index !



Pictures reference only

| No | Parts Number | Parts Name | Qty | Price (RM/pcs) | Remark |
|----|-------------------|--|-----|----------------|-------------------------------|
| 1 | 4550A-VF5-000 | Fr. Brake Ass'y | 1 | 3021.10 | |
| 2 | 45100-VF5-900 | Fr. Caliper Assy | 1 | 405.70 | |
| 3 | 45105-VF5-000-A | Fr. Pad Set (A+B) | 1 | 24.00 | |
| 4 | 45500-VF5-000 | Fr. M/C Ass'y | 1 | 237.40 | |
| 5 | 53176-VF3-0000-SE | R. Strg. Handle Lever | 1 | 69.90 | (for Matte Black/ Green Bike) |
| 5 | 53176-VF3-0000-LE | R. Steering Handle Lever - Limited Edition | 1 | 69.90 | (for Matt Gray/ Orange Bike) |
| 6 | 90145-MS9-611 | Oil Bolt 10*22 mm | 2 | 6.60 | |
| 7 | 90545-300-000 | Oil Bolt Washer | 4 | 0.90 | |
| 8 | 35342-M3G-0000 | Fr. Stop Sw. Cord Comp. | 1 | 7.00 | |
| 9 | 96700-06012-08 | Socket Bolt 6*12 mm | 2 | 1.20 | |
| 10 | 45126-VF5-000 | Fr. Brk. Hose A | 1 | 125.20 | |
| 11 | 45127-VF5-000 | Fr. Brk. Hose B | 1 | 172.60 | |
| 12 | 90105-HTA-000-L1 | Flange Bolt 8*35 mm | 2 | 2.30 | |
| 13 | 38730-XMC-000 | Abs. Hydraulic Circuit Unit | 1 | 2889.00 | |
| 14 | 90136-VBJ-0003 | Handle Level Pivot Bolt | 1 | 1.90 | |
| 15 | 90321-315-8000 | Fixing Nut | 1 | 1.90 | |
| 16 | 38731-VF5-000 | Abs. H.U. Brkt | 1 | 82.00 | |
| 17 | 38732-VF5-000 | Abs. H. U. Rubber | 1 | 2.30 | |
| 18 | 80103-X01-0000 | Rr. Fender Rubber | 2 | 1.70 | |
| 19 | 80104-VF5-000 | Rr Fender Collar | 2 | 1.70 | |
| 20 | 95801-06020-00 | Flange Bolt 6*20 mm | 2 | 0.80 | |
| 21 | 35340-KBN-900 | Fr. Stop Switch Ass'y | 1 | 41.80 | |

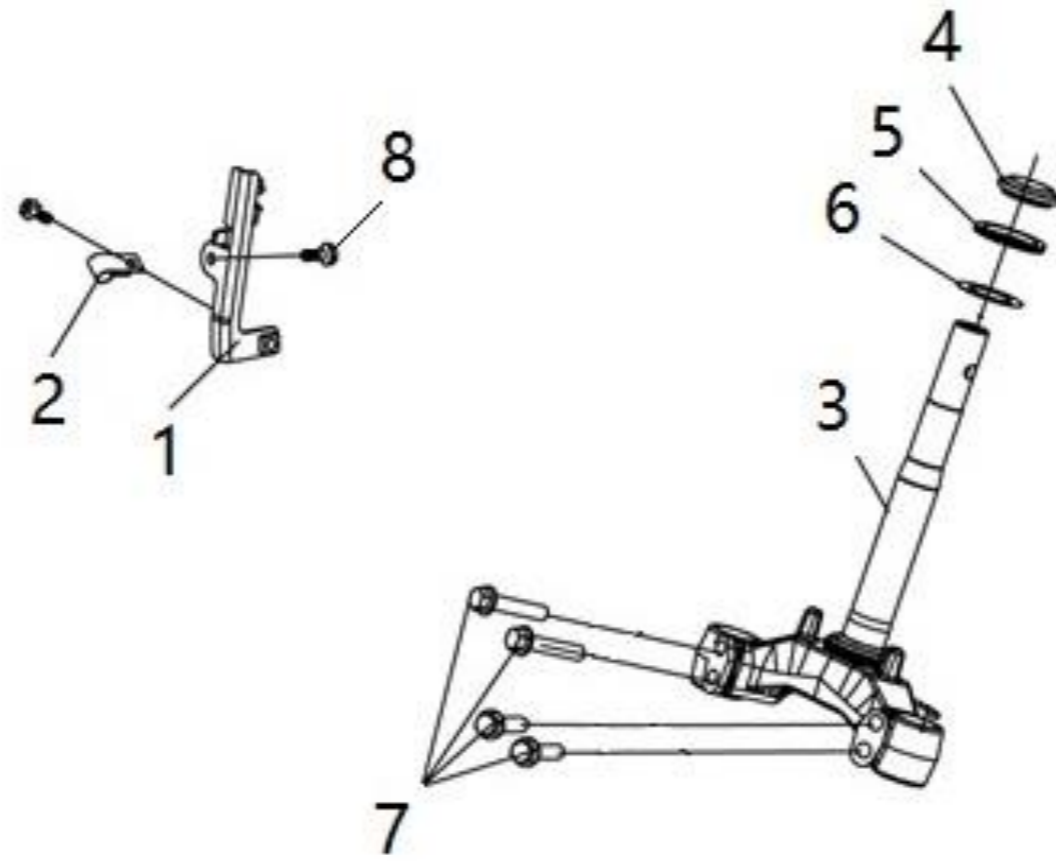
●Please check the color & stripe information according to the color index !



Pictures reference only

| No | Parts Number | Parts Name | Qty | Price (RM/pcs) | Remark |
|----|-------------------|--|-----|----------------|-------------------------------|
| 1 | 17910-VF3-000 | Throttle Cable Comp. | 1 | 20.00 | |
| 2 | 22870-VF3-000 | Clutch Cable Comp. | 1 | 30.00 | |
| 3 | 32161-T15-000 | Wire Band 250 | 1 | 5.90 | |
| 4 | 38300-AZA-000-L1 | Elec. Winker Relay Ass'y | 1 | 45.40 | |
| 5 | 53104-VF3-900 | Handle Pipe Wt. Ass'y | 2 | 35.40 | |
| 6 | 53140-XPA-0001-VN | R. Handle Grip | 1 | 17.40 | |
| 7 | 53166-XPA-0001-VN | L. Handle Grip | 1 | 11.40 | |
| 8 | 53167-H09-9001-L1 | Throt. Und. Housing | 1 | 3.90 | |
| 9 | 53168-H09-0001 | Up Throt Housing | 1 | 3.90 | |
| 10 | 53178-VF3-0000-SE | L Strg. Handle Lever | 1 | 69.90 | (for Matte Black/ Green Bike) |
| 10 | 53178-VF3-0000-LE | L. Steering Handle Lever - Limited Edition | 1 | 69.90 | (for Matt Gray/ Orange Bike) |
| 11 | 90106-VT3-0002-L1 | Flange Bolt 10*50 mm | 1 | 2.70 | |
| 12 | 93500-05022-00 | Pan Screw 5*22 mm | 1 | 0.40 | |
| 13 | 93903-35220 | Tapping Screw 5*12 mm | 2 | 1.20 | |
| 14 | 53125-M9Q-000 | Hndl. Setting Collar | 1 | 14.80 | |
| 15 | 94050-10070 | Flange Nut 10 mm | 1 | 2.40 | |
| 16 | 93903-44480 | Tapping Screw 4*16 mm | 1 | 0.70 | |
| 17 | 53100-VF3-000 | Handle Pipe Comp. | 1 | 112.30 | |
| 18 | 88120-VE1-0000 | L. Back Mirror Ass'y | 1 | 23.80 | |
| 19 | 88110-VE1-0000 | R. Back Mirror Ass'y | 1 | 23.80 | |
| 20 | 53172-VBJ-0003 | L. Handle Lever Brkt. | 1 | 17.30 | |
| 21 | 53192-203-900 | Clutch Wire Adjust Bolt-Nut | 1 | 21.30 | |
| 22 | 90321-315-8000 | Fixing Nut | 1 | 1.90 | |
| 23 | 96700-06012-08 | Socket Bolt 6*12 | 4 | 1.20 | |

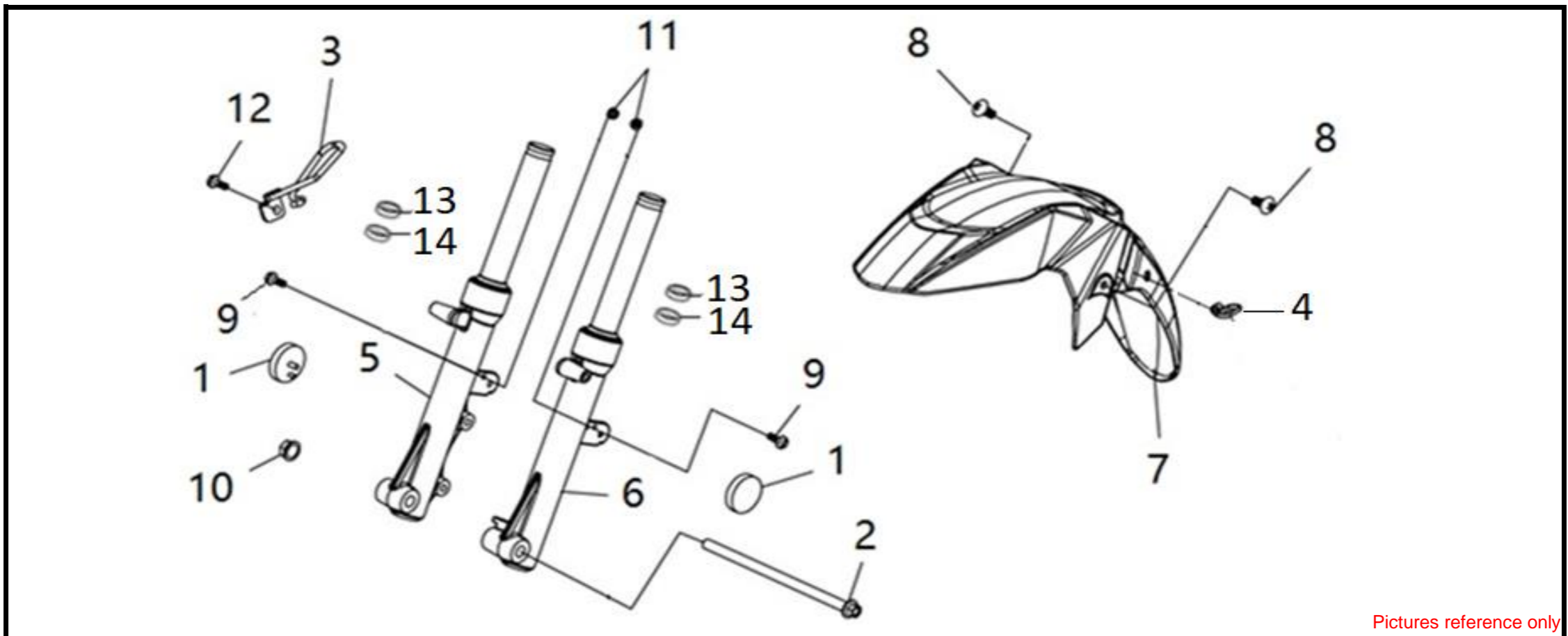
●Please check the color & stripe information according to the color index !



Pictures reference only

| No | Parts Number | Parts Name | Qty | Price (RM/pcs) | Remark |
|----|-------------------|--------------------------|-----|----------------|--------|
| 1 | 45156-VF5-000 | Brake Hose Clamp | 1 | 14.30 | |
| 2 | 45157-VA1-0001 | Brake Hose Clamper B | 2 | 3.00 | |
| 3 | 5320B-VF3-000 | Strg. Stem Comp. | 1 | 174.00 | |
| 4 | 53212-M9Q-000-CN2 | Cone Race (Strg. Bottom) | 1 | 24.60 | |
| 5 | 53214-M9Q-0000 | Strg. Dust Seal | 1 | 1.10 | |
| 6 | 53215-M9Q-0000 | Strg. Dust Seal Washer | 1 | 1.10 | |
| 7 | 95801-10050-07 | Flange Bolt 10*50 mm | 4 | 2.30 | |
| 8 | 96001-06010-07 | Sh. Flange Bolt 6*10 mm | 2 | 0.40 | |

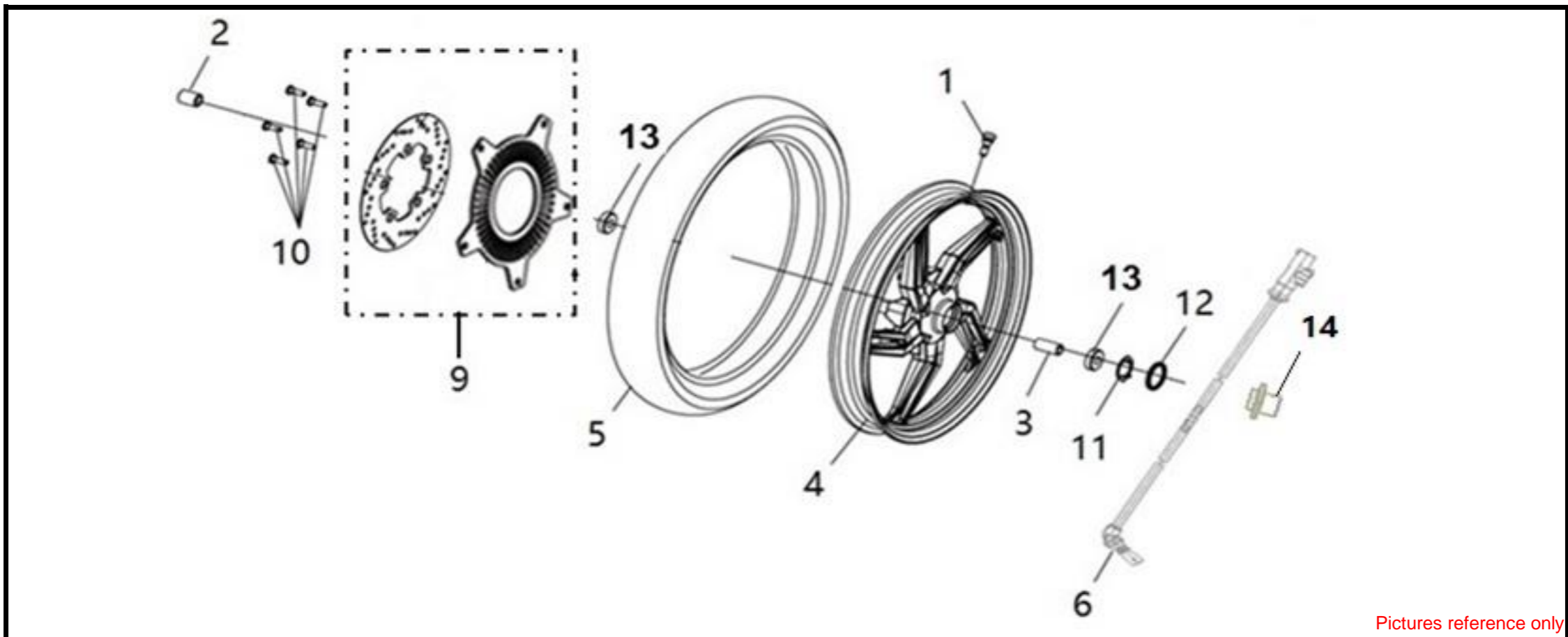
●Please check the color & stripe information according to the color index !



Pictures reference only

| No | Parts Number | Parts Name | Qty | Price (RM/pcs) | Remark |
|----|-------------------|-----------------------------|-----|----------------|-------------------------------------|
| 1 | 33741-F62-100 | Rr. Reflex Reflector | 2 | 15.20 | |
| 2 | 44301-VT5-0000 | Fr. Wheel Axle | 1 | 17.30 | |
| 3 | 45157-VF3-000 | Brake Hose Clamer A | 1 | 3.10 | |
| 4 | 45451-N02-000 | Wire Grommet | 1 | 2.90 | |
| 5 | 51400-VF5-000 | R. Fr. Cushion Ass'y | 1 | 211.50 | |
| 6 | 51500-VF5-000 | L. Fr. Cushion Ass'y | 1 | 211.50 | |
| 7 | 61100-VF3-000-KT | Fr. Fender (BK-501U) | 1 | 93.30 | Black (for Matte Black/ Green Bike) |
| 7 | 61100-VF3-000-OEG | Fr Fender (OR-1655C/GY-097) | 1 | 93.30 | Orange (for Matt Gray/ Orange Bike) |
| 8 | 90110-VVC-0000 | Special Screw 6*16 mm | 2 | 1.70 | |
| 9 | 94050-06080 | Flange Bolt 6 mm | 2 | 1.40 | |
| 10 | 90306-SB1-0000 | Self-Lock Nut 12 mm | 1 | 3.50 | |
| 11 | 94050-06080 | Flange Nut 6 mm | 2 | 1.40 | |
| 12 | 95801-06010-08 | Flange Bolt 6*10 mm | 1 | 1.20 | |
| 13 | 51403-APA-000 | Oil Seal | 2 | 18.70 | |
| 14 | 51404-APA-000 | Dust Seal | 2 | 9.20 | |

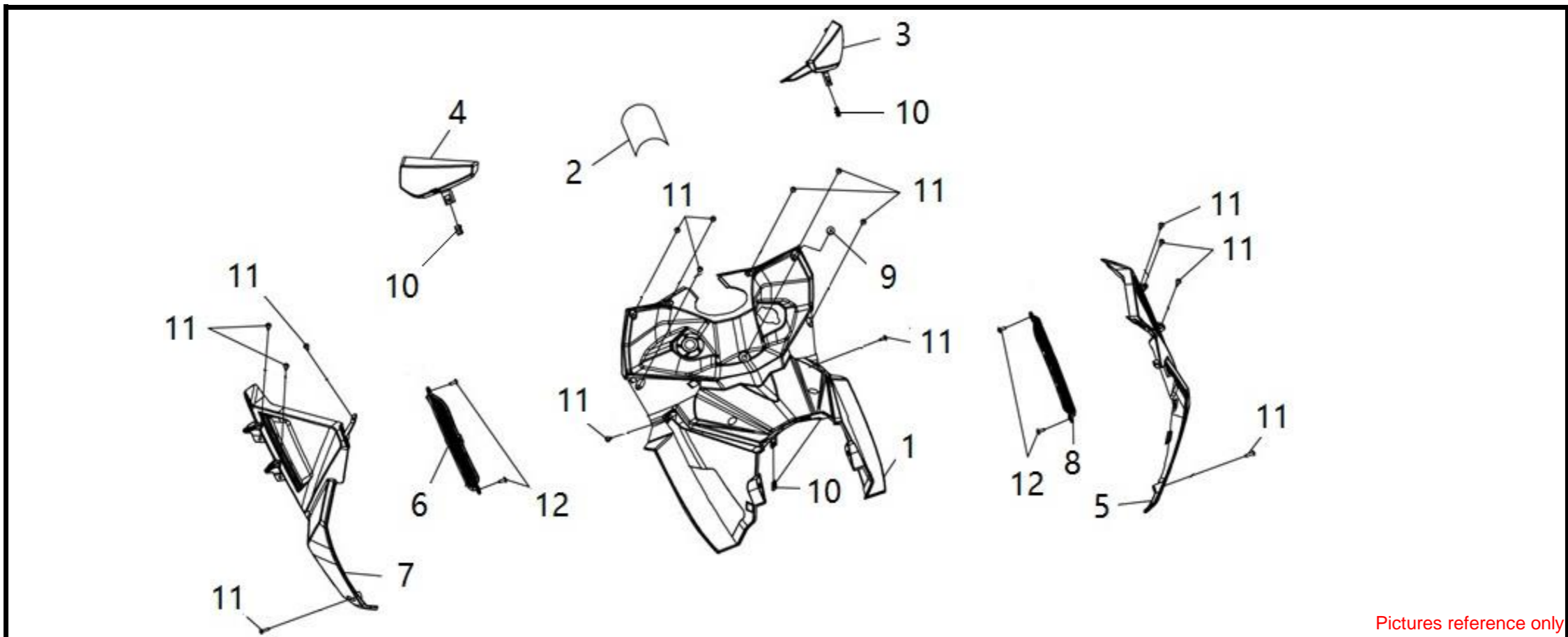
●Please check the color & stripe information according to the color index !



Pictures reference only

| No | Parts Number | Parts Name | Qty | Price (RM/pcs) | Remark |
|----|---------------------|--------------------------------------|-----|----------------|-------------------------------------|
| 1 | 42753-VVA-0000 | Rim Valve | 1 | 15.20 | |
| 2 | 44311-VF3-000 | Fr Wheel Side Collar | 1 | 6.60 | |
| 3 | 44620-VA1-0000 | Fr. Axle Dist Collar | 1 | 3.20 | |
| 4 | 44701-VF3-000-T3-VN | Fr. Wheel Cast - Green | 1 | 433.10 | Green (for Matte Black/ Green Bike) |
| 4 | 44701-VF3-000-T4-VN | Fr. Wheel Cast (OR-1655C/S - Orange) | 1 | 497.40 | Orange (for Matt Gray/ Orange Bike) |
| 5 | 44710-VF3-000 | Fr . Tubeless Tire Ass'y | 1 | 151.10 | |
| 6 | 44870-L4C-000-CN1 | ABS. Speed Sensor | 1 | 214.30 | |
| 9 | 4512A-VF5-000-VN | Fr. Brake Disk Comp. | 1 | 375.60 | |
| 10 | 90106-N02-0002 | Fr. Disk Bolt | 5 | 3.50 | |
| 11 | 91252-030-003 | Oil Seal 23*37*7 mm | 1 | 5.90 | |
| 12 | 91258-410-0061-L1 | Dust Seal 40*50*5 mm | 1 | 4.40 | |
| 13 | 96150-63010-10-VN | Radial Bearing Ball 6301UU | 2 | 13.40 | |
| 14 | 44321-VF5-0001 | FR. WHEEL SIDE COLLAR A | 1 | 27.40 | |

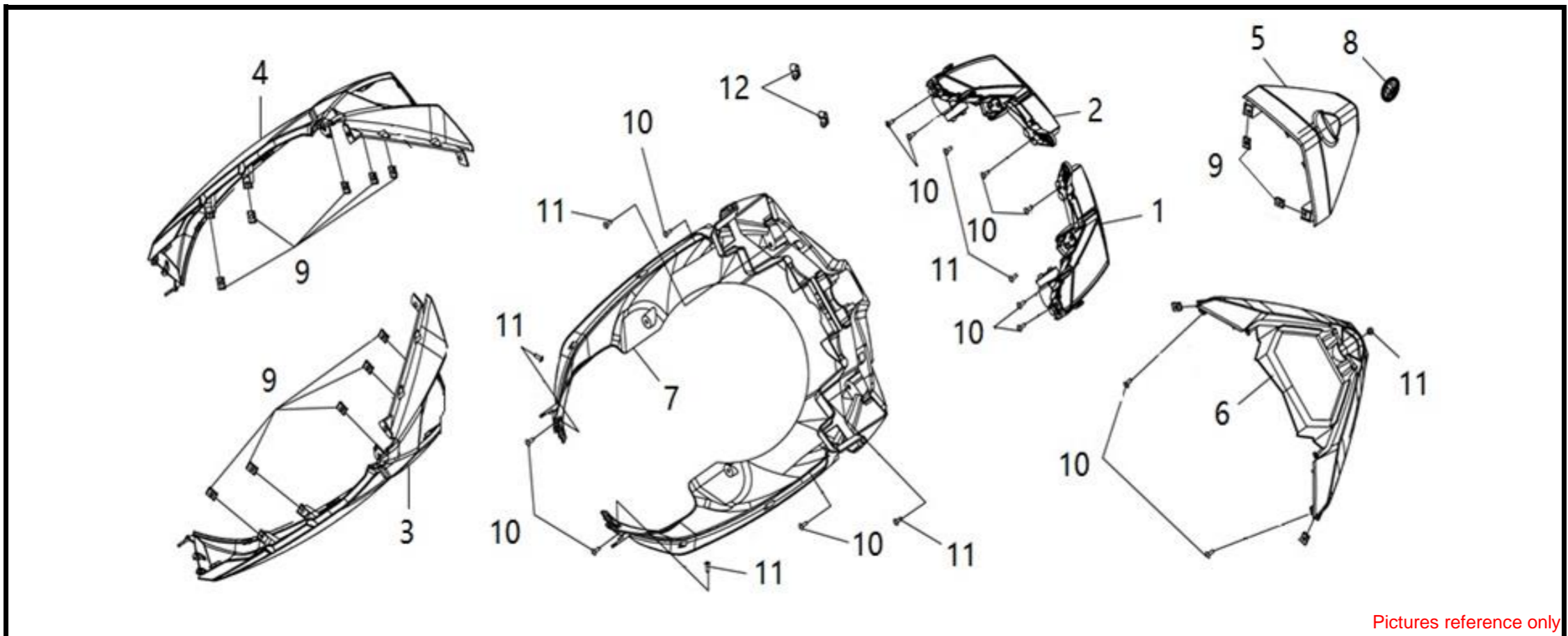
●Please check the color & stripe information according to the color index !



Pictures reference only

| No | Parts Number | Parts Name | Qty | Price (RM/pcs) | Remark |
|----|------------------|------------------------------------|-----|----------------|--|
| 1 | 64101-VF3-000 | Main Pipe Cover | 1 | 38.30 | Black |
| 2 | 64102-VF3-000 | Main Pipe Joint Cap | 1 | 2.00 | Black |
| 3 | 64303-VF3-000-KT | R. Main Pipe Inner Cover (BK-501U) | 1 | 26.70 | Black (for Matte Black/ Green Bike) |
| 3 | 64303-VF3-000-IF | R. Main Pipe Inner Cover (GY-097) | 1 | 26.70 | Matt Gray (for Matt Gray/ Orange Bike) |
| 4 | 64304-VF3-000-KT | L. Main Pipe Inner Cover (BK-501U) | 1 | 26.70 | Black (for Matte Black/ Green Bike) |
| 4 | 64304-VF3-000-IF | L. Main Pipe Inner Cover (GY-097) | 1 | 26.70 | Matt Gray (for Matt Gray/ Orange Bike) |
| 5 | 83510-VF3-000-KT | R. Side Cover (BK-501U) | 1 | 50.00 | Black (for Matte Black/ Green Bike) |
| 5 | 83510-VF3-000-OE | R. Side Cover (OR-1655C) | 1 | 50.00 | Orange (for Matt Gray/ Orange Bike) |
| 6 | 83611-VF3-000-VN | L. Side Cover Grille | 1 | 17.70 | |
| 7 | 83610-VF3-000-KT | L. Side Cover (BK-501U) | 1 | 50.00 | Black (for Matte Black/ Green Bike) |
| 7 | 83610-VF3-000-OE | L. Side Cover (OR-1655C) | 1 | 50.00 | Orange (for Matt Gray/ Orange Bike) |
| 8 | 83511-VF3-000-VN | R. Side Cover Grille | 1 | 17.70 | |
| 9 | 90110-G22-0001 | Special Screw 6*14 mm | 1 | 1.30 | |
| 10 | 90302-SA4-003B | Nut Spring 4 mm | 4 | 0.80 | |
| 11 | 93903-44480 | Tapping Screw 4*16 mm | 16 | 0.70 | |
| 12 | 93903-34320 | Tapping Screw 4*12 mm | 4 | 0.90 | |

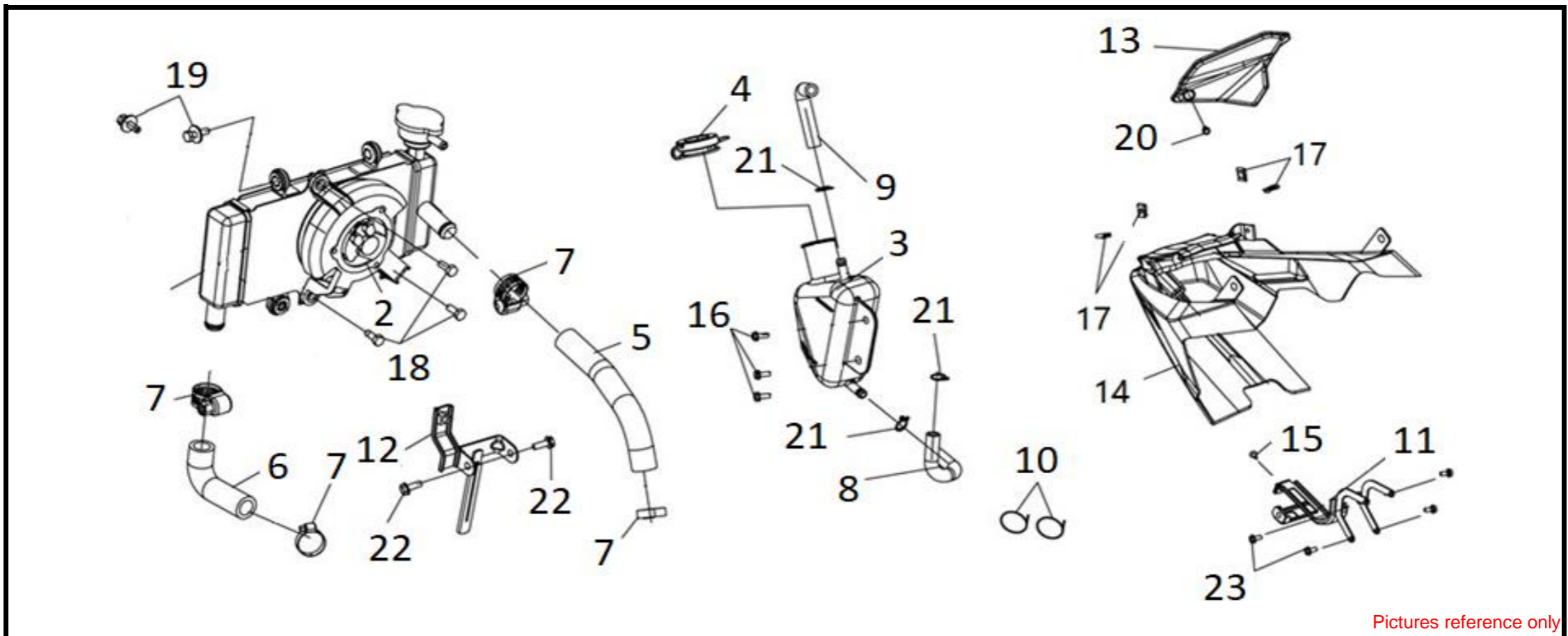
●Please check the color & stripe information according to the color index !



Pictures reference only

| No | Parts Number | Parts Name | Qty | Price (RM/pcs) | Remark |
|----|------------------|-------------------------|-----|----------------|--|
| 1 | 33400-VF3-000-VN | Fr. R. Winker Ass'y | 1 | 131.60 | |
| 2 | 33450-VF3-000-VN | Fr. L. Winker Ass'y | 1 | 131.60 | |
| 3 | 64301-VF3-000-KT | R Fr Cover (BK-010U) | 1 | 66.60 | Black (for Matte Black/ Green Bike) |
| 3 | 64301-VF3-000-IF | R Fr Cover (GY-097) | 1 | 66.60 | Matt Gray (for Matt Gray/ Orange Bike) |
| 4 | 64302-VF3-000-KT | L Front Cover (BK-010U) | 1 | 66.60 | Black (for Matte Black/ Green Bike) |
| 4 | 64302-VF3-000-IF | L Front Cover (GY-097) | 1 | 66.60 | Matt Gray (for Matt Gray/ Orange Bike) |
| 5 | 64310-VF3-000-KT | Fr. Top Cover (BK-010U) | 1 | 36.60 | Black (for Matte Black/ Green Bike) |
| 5 | 64310-VF3-000-IF | Fr. Top Cover (GY-097) | 1 | 36.60 | Matt Gray (for Matt Gray/ Orange Bike) |
| 6 | 64311-VF3-000-KT | Fr. Garnish (BK-010U) | 1 | 39.90 | Black (for Matte Black/ Green Bike) |
| 6 | 64311-VF3-000-IF | Fr. Garnish (GY-097) | 1 | 39.90 | Matt Gray (for Matt Gray/ Orange Bike) |
| 7 | 64500-VF3-000 | Fr. Under Spoiler | 1 | 44.70 | Black |
| 8 | 87554-AZA-000 | S Logo (40 Emblem) | 1 | 16.70 | |
| 9 | 90302-SA4-003B | Nut Spring 4 mm | 15 | 0.80 | |
| 10 | 93903-34320 | Tapping Screw 4*12 mm | 12 | 0.90 | |
| 11 | 93903-44480 | Tapping Screw 4*16 mm | 7 | 0.70 | |
| 12 | 94592-A5W-0000 | Cable Clamp (1/4 ") | 2 | 1.80 | |

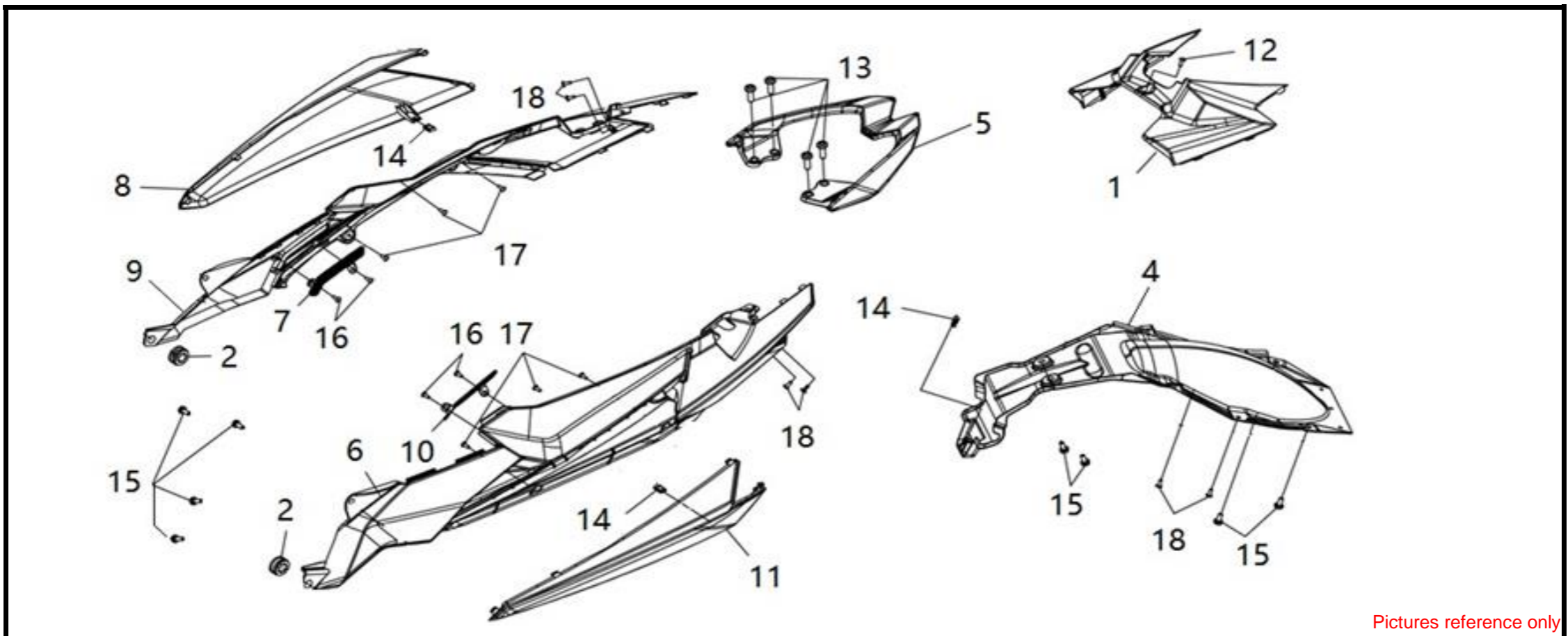
●Please check the color & stripe information according to the color index !



Pictures reference only

| No | Parts Number | Parts Name | Qty | Price (RM/pcs) | Remark |
|----|-------------------|----------------------------|-----|----------------|--------|
| 1 | 19010-VF3-000 | Radiator Comp. | 1 | 431.60 | |
| 2 | 19020-VF3-000 | Shroud Ass'y | 1 | 224.50 | |
| 3 | 19101-VF3-000-VN | Reserve Tank | 1 | 25.40 | |
| 4 | 19104-M9Q-000 | Reserve Tank Cap | 1 | 6.20 | |
| 5 | 19501-VF3-000 | Radiator Inlet Water Hose | 1 | 23.40 | |
| 6 | 19503-VF3-000 | Radiator Outlet Water Hose | 1 | 16.00 | |
| 7 | 19505-VF3-000 | Tube Clamp D23 | 2 | 3.10 | |
| 8 | 19507-VF3-000 | Res. Tank Water Tube A | 1 | 42.40 | |
| 9 | 19509-VF3-000 | Res. Tank Water Tube B | 1 | 21.70 | |
| 10 | 32161-T15-000 | Wire Band 250 mm | 2 | 5.90 | |
| 11 | 50261-VF3-000 | Under Spoiler Stay A | 1 | 21.70 | |
| 12 | 50267-VF3-000 | Reserve Tank Stay B | 1 | 11.70 | |
| 13 | 50350-VF3-000-VN | R. Eng. Hanger Protector | 1 | 30.20 | Black |
| 14 | 64300-VF3-000-KU | Under Spoiler | 1 | 25.00 | Black |
| 15 | 90110-G22-0001 | Special Screw 6*14 mm | 1 | 1.30 | |
| 16 | 90112-M8Q-0000-VN | Flange Bolt 6 mm | 3 | 1.00 | |
| 17 | 90302-SA4-003B | Nut Spring 4 mm | 4 | 0.80 | |
| 18 | 93401-06016-07 | Washer Bolt 6*16 mm | 3 | 0.90 | |
| 19 | 93404-06022-07 | Washer Bolt 6*22 mm | 2 | 0.90 | |
| 20 | 93891-06012-07 | Washer Screw 6*12 mm | 1 | 0.90 | |
| 21 | 95002-02130 | Tube Clip B12.5 mm | 3 | 1.40 | |
| 22 | 95801-06016-08 | Flange Bolt 6*16 mm | 2 | 2.10 | |
| 23 | 96001-06012-07 | Sh. Flange Bolt 6*12 mm | 4 | 0.40 | |

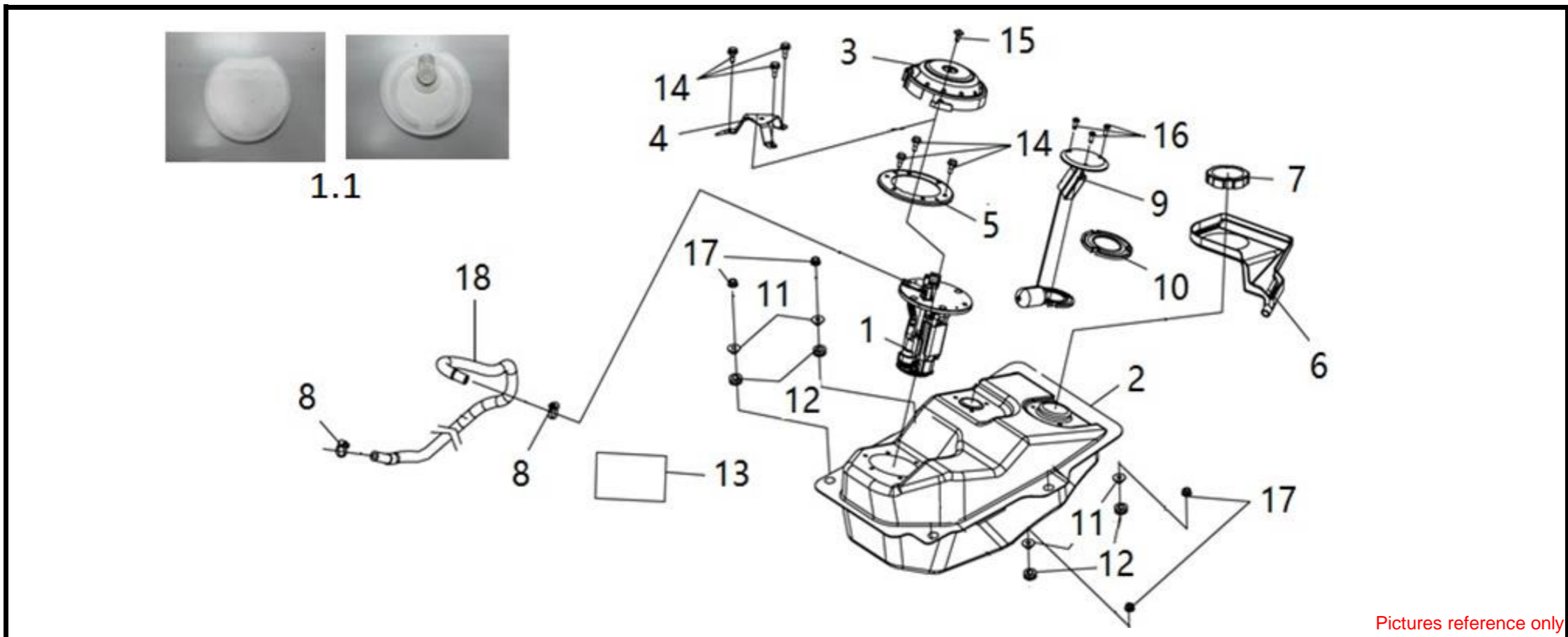
●Please check the color & stripe information according to the color index !



Pictures reference only

| No | Parts Number | Parts Name | Qty | Price (RM/pcs) | Remark |
|----|------------------|-------------------------------|-----|----------------|--|
| 1 | 64100-VF3-000 | Center Cover | 1 | 17.40 | Black |
| 2 | 64304-X01-000 | Fr. Cover Rubber | 1 | 3.00 | |
| 4 | 80106-VF3-000 | Rr. Inner Fender | 1 | 22.30 | Black |
| 5 | 81200-VF3-000-EN | Rr Carrier (GN-010S/S) | 1 | 131.10 | Green (for Matte Black/ Green Bike) |
| 5 | 81200-VF3-000-OE | Rr Carrier (OR-1655C/S) | 1 | 131.10 | Orange (for Matt Gray/ Orange Bike) |
| 6 | 83600-VF3-000-KT | L. Body Cover (BK-010U) | 1 | 69.90 | Black (for Matte Black/ Green Bike) |
| 6 | 83600-VF3-000-IF | L. Body Cover (GY-097) | 1 | 69.90 | Matt Gray (for Matt Gray/ Orange Bike) |
| 7 | 83501-VF3-000-VN | R. Body Cover Grille | 1 | 21.30 | |
| 8 | 83550-VF3-000-KT | R. Body Lower Cover (BK-010U) | 1 | 39.90 | Black (for Matte Black/ Green Bike) |
| 8 | 83550-VF3-000-IF | R. Body Lower Cover (GY-097) | 1 | 39.90 | Matt Gray (for Matt Gray/ Orange Bike) |
| 9 | 83500-VF3-000-KT | R. Body Cover (BK-010U) | 1 | 69.90 | Black (for Matte Black/ Green Bike) |
| 9 | 83500-VF3-000-IF | R. Body Cover (GY-097) | 1 | 69.90 | Matt Gray (for Matt Gray/ Orange Bike) |
| 10 | 83601-VF3-000-VN | L. Body Cover Grille | 1 | 21.30 | |
| 11 | 83650-VF3-000-KT | L. Body Lower Cover (BK-010) | 1 | 39.90 | Black (for Matte Black/ Green Bike) |
| 11 | 83650-VF3-000-IF | L. Body Lower Cover (GY-097) | 1 | 39.90 | Matt Gray (for Matt Gray/ Orange Bike) |
| 12 | 90110-G22-0001 | Special Screw 6*14 mm | 1 | 1.30 | |
| 13 | 90186-VA6-0001 | SOCKET BOLT 8X25 | 4 | 2.50 | |
| 14 | 90302-SA4-003B | Nut Spring 4 mm | 3 | 0.80 | |
| 15 | 93404-06012-07 | Washer Bolt 6*12 mm | 8 | 2.10 | |
| 16 | 93903-34320 | Tapping Screw 4*12 mm | 4 | 0.90 | |
| 17 | 93903-35220 | Tapping Screw 5*12 mm | 6 | 1.20 | |
| 18 | 93903-44480 | Tapping Screw 4*16 mm | 6 | 0.70 | |

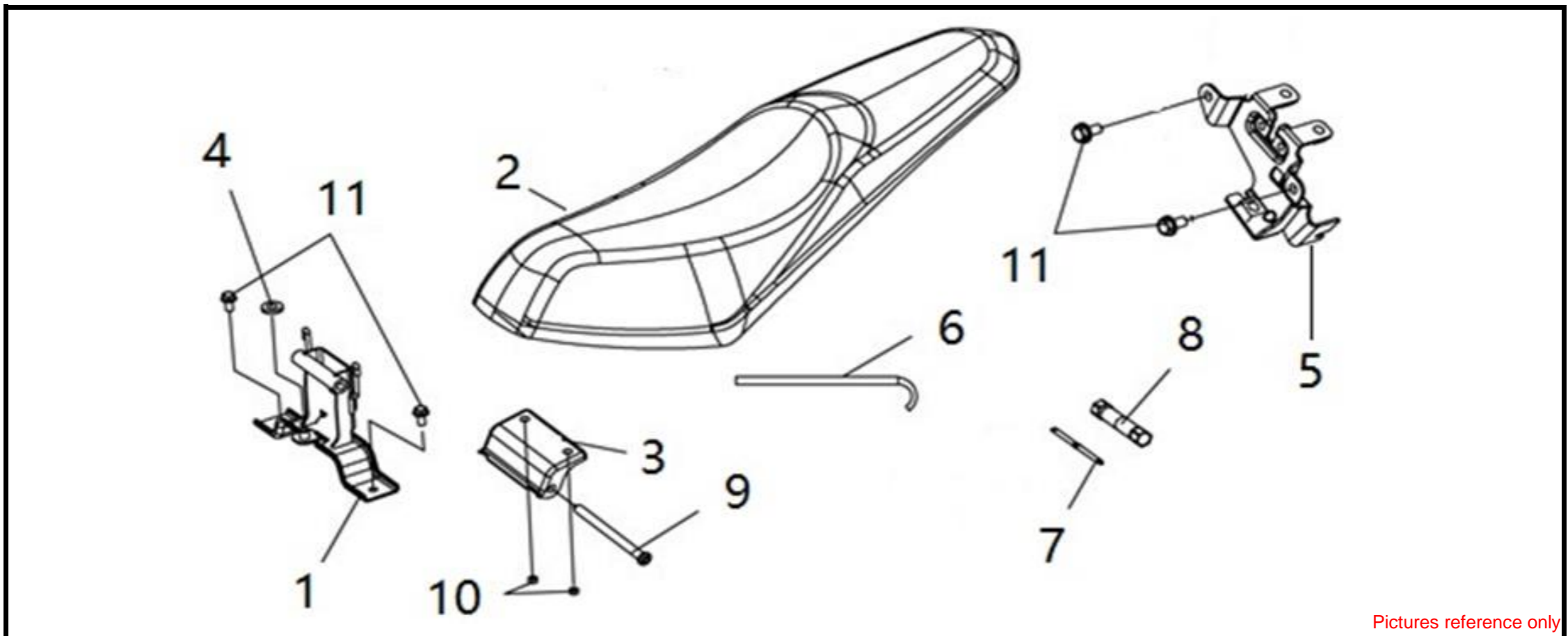
●Please check the color & stripe information according to the color index !



Pictures reference only

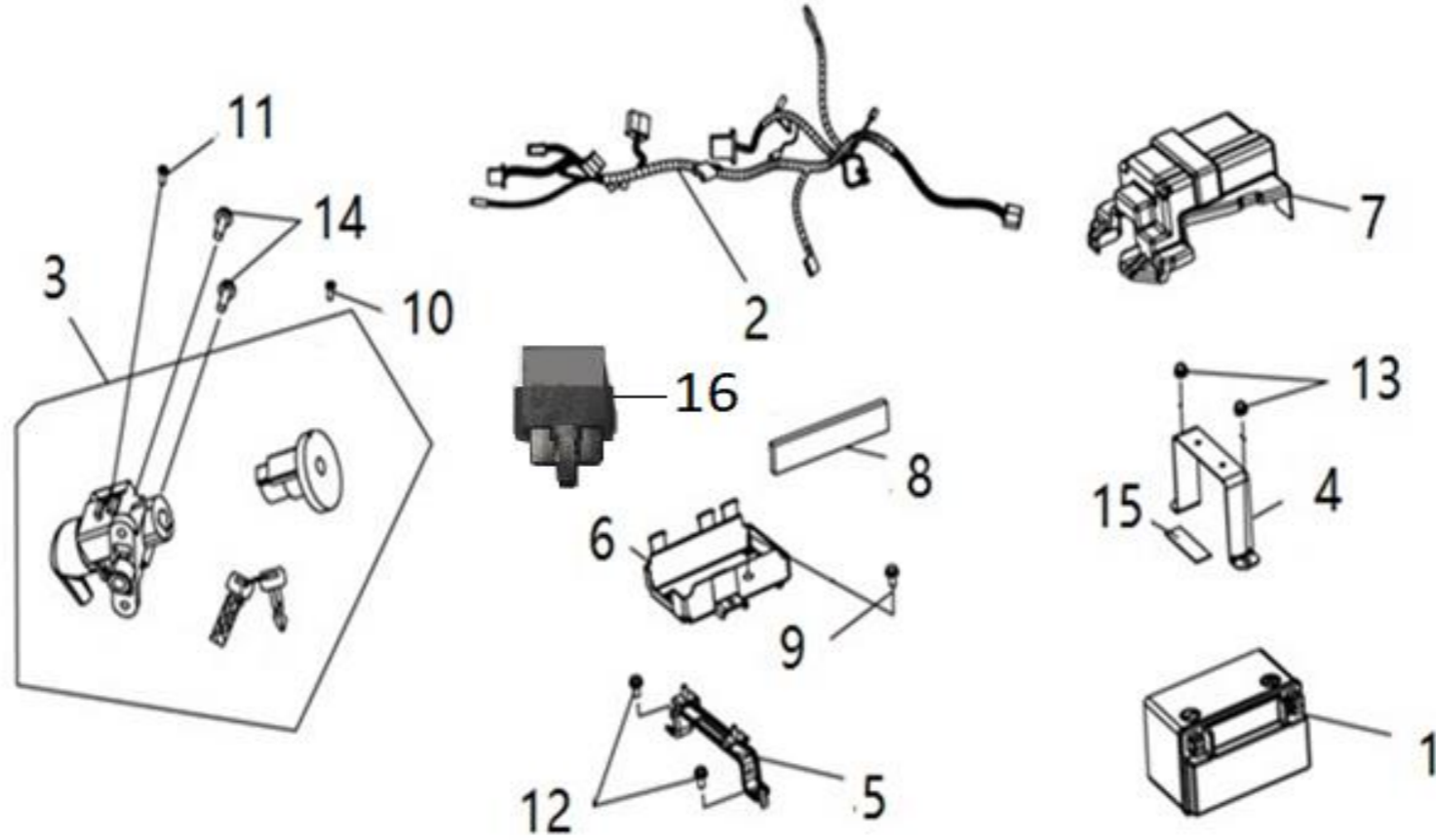
| No | Parts Number | Parts Name | Qty | Price (RM/pcs) | Remark |
|-----|----------------|-----------------------------|-----|----------------|--------|
| 1 | 16700-FSA-0002 | Fuel Pump Ass'y | 1 | 329.90 | |
| 1.1 | 16711-VE1-0000 | Fuel Filter | 1 | 23.00 | |
| 2 | 17500-VF3-000 | Fuel Tank Comp. | 1 | 215.90 | |
| 3 | 17501-VE1-0002 | Fuel Tank Top Cover | 1 | 2.30 | |
| 4 | 17502-VE1-0000 | Fuel Pump Stay A | 1 | 8.20 | |
| 5 | 17503-VE1-0000 | Fuel Pump Stay B | 1 | 6.10 | |
| 6 | 17504-VF3-0000 | Fuel Tank Cover | 1 | 19.10 | |
| 7 | 17620-VA3-0000 | Fuel Filler Cap Ass'y | 1 | 19.60 | |
| 8 | 19505-F81-000 | Hose Clamp | 2 | 4.10 | |
| 9 | 37800-VF3-000 | Fuel Unit Ass'y | 1 | 52.80 | |
| 10 | 37801-X01-0001 | Base Packing | 1 | 4.60 | |
| 11 | 80107-VE1-0000 | Fuel Tank Collar | 4 | 1.10 | |
| 12 | 80108-VE1-0000 | Fuel Tank Rubber | 4 | 1.10 | |
| 13 | 81219-VB1-0000 | Washing Motor Caution Label | 1 | 0.50 | |
| 14 | 90116-VVE-0001 | Fuel Unit Bolt | 6 | 2.30 | |
| 15 | 90118-T15-900 | Washer Screw 5*14 mm | 1 | 4.80 | |
| 16 | 93892-05012-08 | Washer Screw 5*12 mm | 3 | 2.60 | |
| 17 | 94050-06080 | Flange Nut 6 mm | 4 | 1.40 | |
| 18 | 17508-VF3-000 | Fuel Hose | 1 | 84.70 | |

●Please check the color & stripe information according to the color index !



| No | Parts Number | Parts Name | Qty | Price (RM/pcs) | Remark |
|----|----------------|----------------------------|-----|----------------|--------|
| 1 | 77110-VF3-000 | Seat Hinge Stay | 1 | 34.60 | |
| 2 | 77200-VF3-900 | Double Seat Comp (BK-001L) | 1 | 170.00 | Black |
| 3 | 77201-T36-000 | Seat Hinge | 1 | 11.00 | |
| 4 | 77226-M3F-0000 | Damp Rubber | 1 | 2.30 | |
| 5 | 77235-VF3-000 | Seat Catch Comp. | 1 | 26.00 | |
| 6 | 77245-VF3-000 | Seat Lock Cable | 1 | 27.20 | |
| 7 | 89102-VWA-0000 | Drive Plus Minus 2 | 1 | 2.80 | |
| 8 | 89216-A02-0100 | Spring Plug Virech | 1 | 3.90 | |
| 9 | 90105-T36-0000 | Hinge Pin | 1 | 12.40 | |
| 10 | 94050-05080 | Flange Nut 5 mm | 2 | 1.20 | |
| 11 | 95801-06012-07 | Flange Bolt 6*12 mm | 4 | 1.20 | |

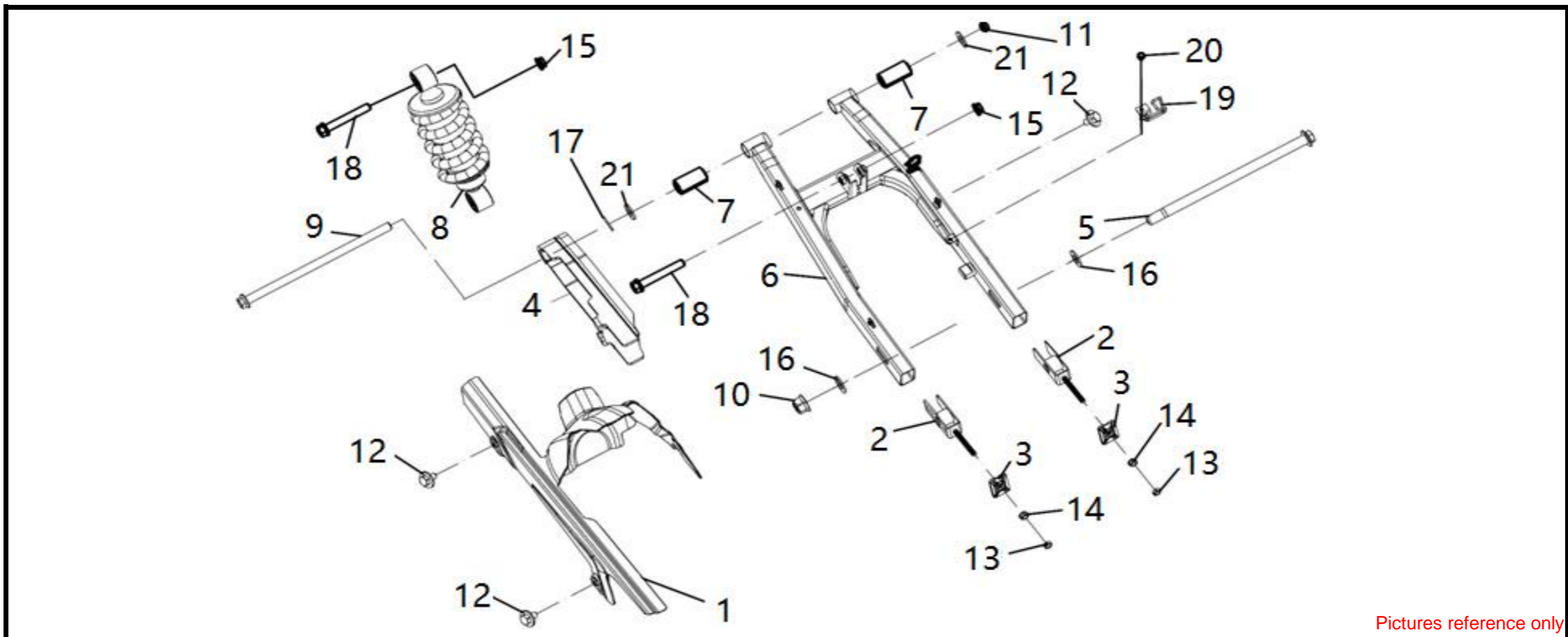
●Please check the color & stripe information according to the color index !



Pictures reference only

| No | Parts Number | Parts Name | Qty | Price (RM/pcs) | Remark |
|----|------------------|--------------------------|-----|----------------|--------|
| 1 | AC-YTX7A-BS(HW) | Battery Ass'y (YTX7A-BS) | 1 | 126.00 | |
| 2 | 32100-VFA-000-VN | Wire Harness | 1 | 729.40 | |
| 3 | 35010-VF3-000 | Key Set | 1 | 142.50 | |
| 4 | 50324-VF3-000 | Battery Band | 1 | 26.40 | |
| 5 | 50325-VF3-000 | Battery Case Stay Comp. | 1 | 29.90 | |
| 6 | 50327-VF3-000 | Battery Case | 1 | 6.20 | Black |
| 7 | 80102-VF3-000 | Battery Cover | 1 | 45.40 | |
| 8 | 83619-VF3-000 | Battery Band Sponge | 1 | 1.70 | |
| 9 | 90110-G22-0001 | Special Screw 6*14 mm | 1 | 1.30 | |
| 10 | 93891-05008-08 | Screw Washer 5*8 mm | 1 | 1.20 | |
| 11 | 93892-05012-08 | Washer Screw 5*12 mm | 1 | 2.60 | |
| 12 | 95801-06012-07 | Flange Bolt 6*12 mm | 2 | 1.20 | |
| 13 | 94050-06080 | Flange Nut 6 mm | 2 | 1.40 | |
| 14 | 95801-06018-07 | Flange Bolt 6*18 mm | 2 | 1.20 | |
| 15 | 83619-VF3-000 | Battery Band Sponge | 1 | 1.70 | |
| 16 | 3850A-HLA-100-A2 | Elec. Relay Ass'y | 3 | 59.40 | |

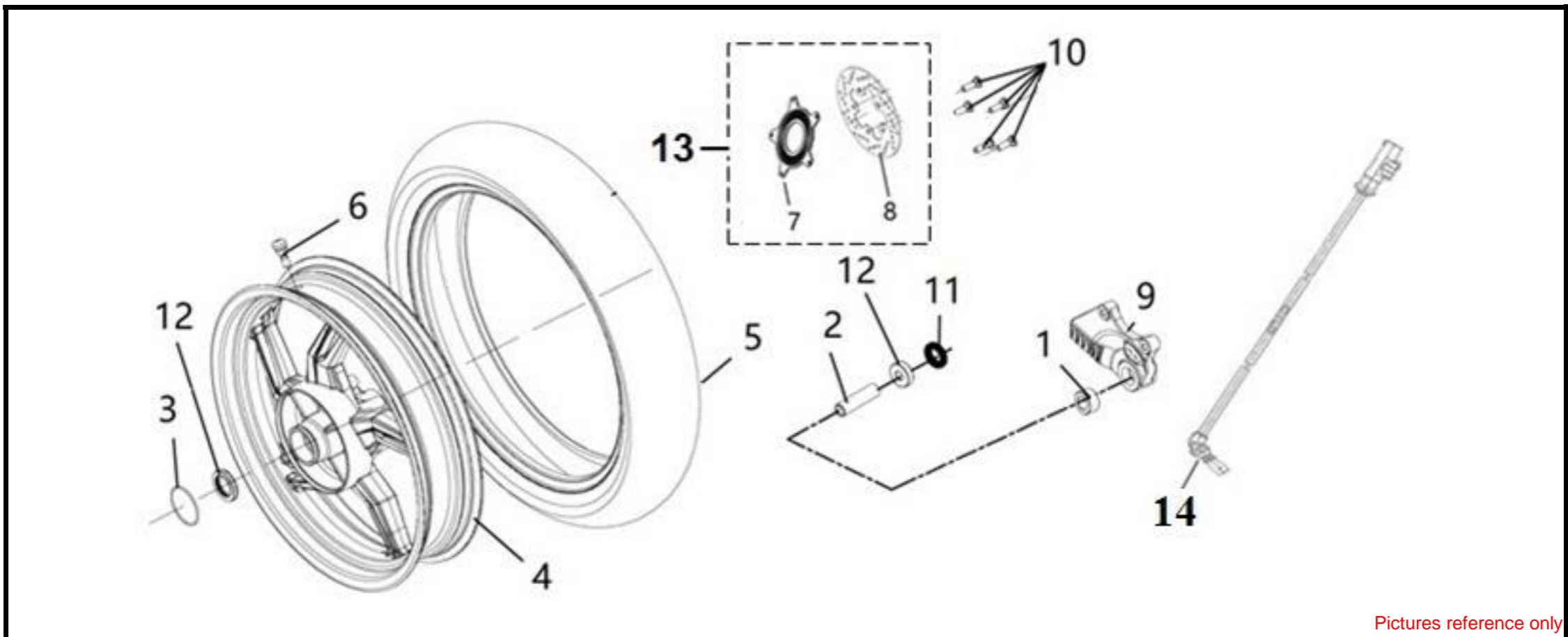
●Please check the color & stripe information according to the color index !



Pictures reference only

| No | Parts Number | Parts Name | Qty | Price (RM/pcs) | Remark |
|----|------------------|---------------------------|-----|----------------|--------|
| 1 | 40510-VF3-000 | Chain Cover | 1 | 20.00 | Black |
| 2 | 40543-VF3-000 | Chain Adjuster | 2 | 10.90 | |
| 3 | 40546-VF3-000-SV | Rr. Fork End Cap | 2 | 14.30 | |
| 4 | 40591-VF3-000 | Chain Slider | 1 | 26.00 | |
| 5 | 42301-VF3-000 | Rr. Wheel Axle | 1 | 57.90 | |
| 6 | 52100-VF3-000 | Rr. Fork Comp (BLACK) | 1 | 202.90 | Black |
| 7 | 52147-KK3-8300 | Rear Fork Rubber Bush | 2 | 16.20 | |
| 8 | 52400-VF3-000 | Rr. Cushion Ass'y (BLACK) | 1 | 293.60 | Black |
| 9 | 90121-B9A-000 | Rr Fork Pivot Bolt | 1 | 38.90 | |
| 10 | 90304-B7A-000 | Rr. Axle U Nut 16 mm | 1 | 28.90 | |
| 11 | 90305-GE8-003 | U Nut 14 mm | 1 | 10.70 | |
| 12 | 93404-06012-07 | Washer Bolt 6*12 mm | 3 | 2.10 | |
| 13 | 94001-08000-0S | Hex Nut 8 mm | 2 | 0.90 | |
| 14 | 94050-08000 | Flange Nut 8 mm | 2 | 1.30 | |
| 15 | 94050-10070 | Flange Nut 10 mm | 2 | 2.40 | |
| 16 | 94101-16000 | Plain Washer 16 mm | 2 | 2.60 | |
| 17 | 94111-14800 | Spr. Washer 14 mm | 1 | 1.30 | |
| 18 | 95801-10065-07 | Flange Bolt 10*65 mm | 2 | 5.30 | |
| 19 | 43127-VF3-000 | Rr. Brake Hose Clamp | 1 | 8.20 | |
| 20 | 95801-06012-07 | Flange Bolt 6*12 mm | 1 | 1.20 | |
| 21 | 94101-VF3-000 | Plain Washer 14 mm | 2 | 1.30 | |

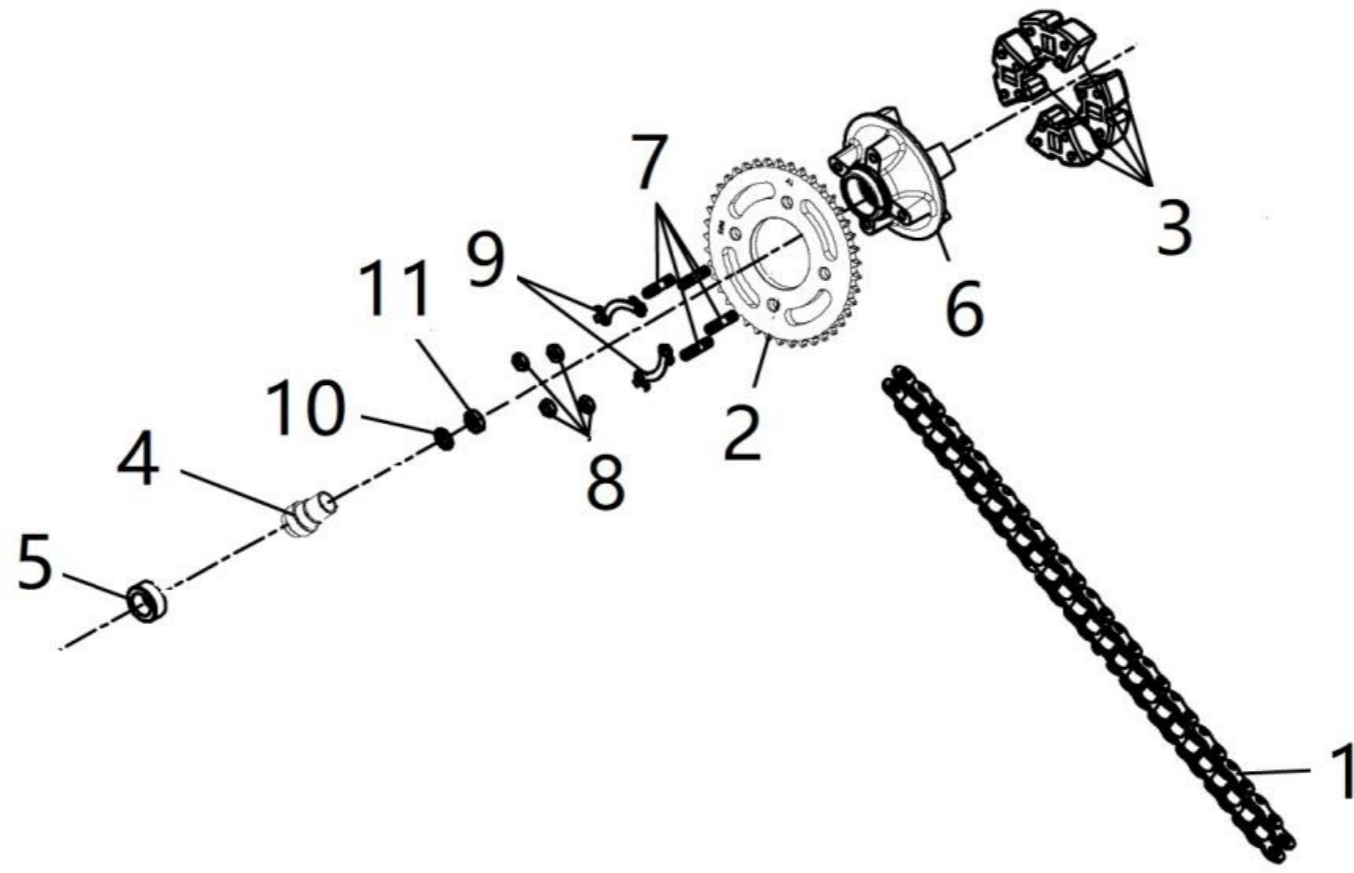
●Please check the color & stripe information according to the color index !



Pictures reference only

| No | Parts Number | Parts Name | Qty | Price (RM/pcs) | Remark |
|----|---------------------|---|-----|----------------|-------------------------------------|
| 1 | 42313-B7A-000 | Rr. Rh Wheel Side Collar | 1 | 13.90 | |
| 2 | 42620-B7A-000 | Distance Collar | 1 | 16.00 | |
| 3 | 42653-B8G-000 | O-Ring 52.7*2.5 mm | 1 | 2.60 | |
| 4 | 42701-VF3-000-T3-VN | Rr. Wheel Cast - Green | 1 | 549.70 | Green (for Matte Black/ Green Bike) |
| 4 | 42701-VF3-000-T4-VN | Rr. Wheel Cast - (OR-1655C/S - Orange) | 1 | 610.50 | Orange (for Matt Gray/ Orange Bike) |
| 5 | 42710-VE5-0000 | Rr. Tubeless Tire Ass'y (120 / 70 - 17) | 1 | 228.80 | |
| 6 | 42753-VVA-0000 | Rim Valve | 1 | 15.20 | |
| 9 | 52105-VF3-000 | Rr. Brake Brkt. | 1 | 62.60 | |
| 10 | 90106-N02-0002 | Fr. Disk Bolt | 5 | 3.50 | |
| 11 | 91252-B8G-000 | Oil Seal 30*47*7 mm | 2 | 8.70 | |
| 12 | 96150-63030-10 | Ball Bearing 6303 (UU) | 2 | 28.90 | |
| 13 | 4312A-VF5-000-VN | Rr. Brake Disk Comp. | 1 | 323.70 | |
| 14 | 44870-L4C-000-CN1 | ABS. Speed Sensor | 1 | 214.30 | |

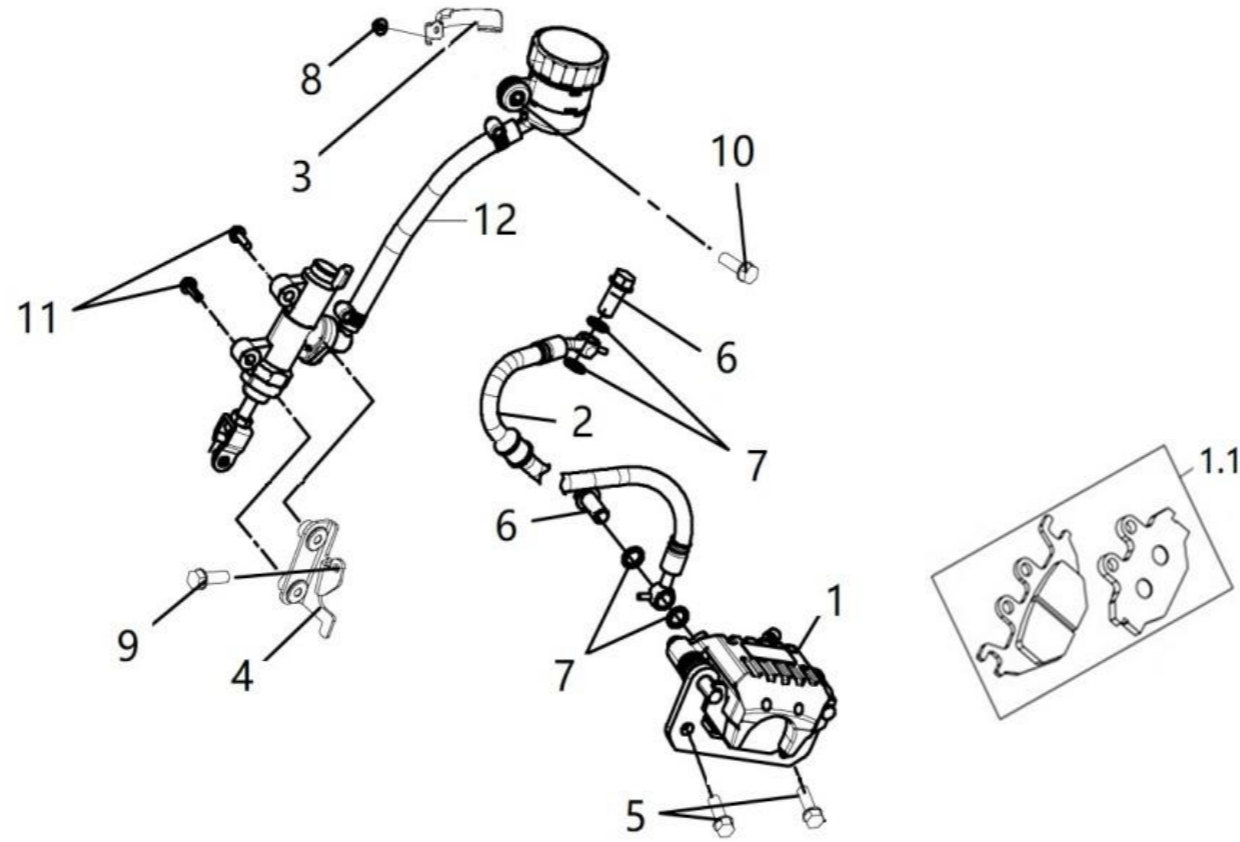
●Please check the color & stripe information according to the color index !



Pictures reference only

| No | Parts Number | Parts Name | Qty | Price (RM/pcs) | Remark |
|----|-------------------|------------------------------|------|----------------|-------------|
| 1 | 40530-VF3-000 | Driver Chain Sym 428H (124L) | 1 | 49.30 | |
| 2 | 41201-VF3-000 | Final Driven Sprocket | 1 | 48.90 | |
| 3 | 41241-B8G-000-A | Rr. Wheel Damper | 1set | 43.20 | 1set = 4pcs |
| 4 | 42303-B7A-900 | Rear Axle Sleeve | 1 | 18.20 | |
| 5 | 42304-B7A-000 | Rr. Lh Wheel Side Collar | 1 | 10.10 | |
| 6 | 42610-VF3-000 | Final Driven Flange | 1 | 151.30 | |
| 7 | 90110-BD2-000 | Stud Bolt 10*23 mm | 4 | 3.50 | |
| 8 | 90305-BD2-000-K1 | U Nut 10 mm | 4 | 5.20 | |
| 9 | 90522-B8G-000 | Tongued Washer 1.2 mm | 2 | 2.30 | |
| 10 | 91252-B8G-000 | Oil Seal 30*47*7 mm | 2 | 8.70 | |
| 11 | 96150-60050-10-VN | Radial Ball Bearing 6005 U | 1 | 27.00 | |

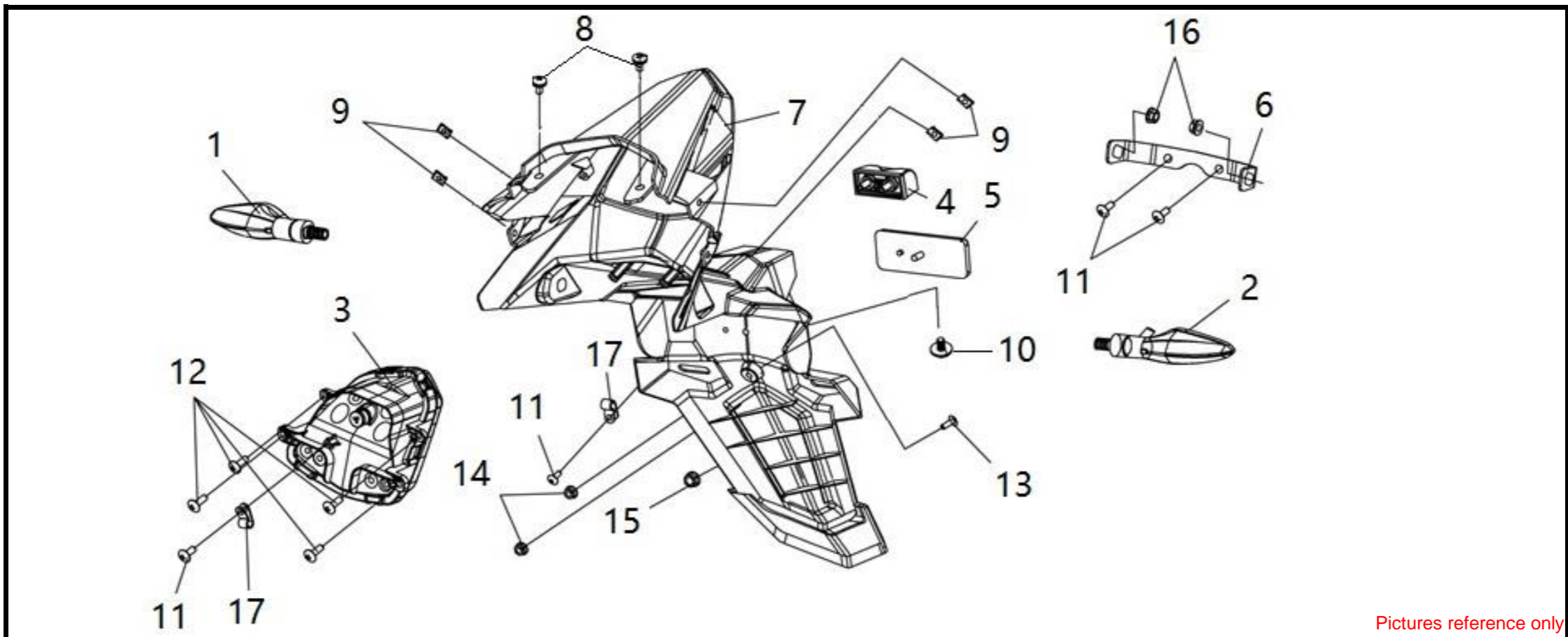
●Please check the color & stripe information according to the color index !



Pictures reference only

| No | Parts Number | Parts Name | Qty | Price (RM/pcs) | Remark |
|-----|------------------|---------------------------------|-----|----------------|--------|
| 1 | 43100-VF3-000-VN | Rr. Caliper Ass'y | 1 | 237.40 | |
| 1.1 | 43108-BAA-000-A | Rear Pad Set | 1 | 35.00 | |
| 2 | 43126-VF3-000-VN | Rr. Brk. Hose Ass'y | 1 | 38.90 | |
| 3 | 50282-VF3-000 | Brake Fluid Cup Brkt. | 1 | 7.00 | |
| 4 | 50351-VF3-000 | Foot Master Cylinder Stay Comp. | 1 | 11.70 | |
| 5 | 90106-B7A-000 | Flange Bolt 8*25 mm | 2 | 3.50 | |
| 6 | 90145-MS9-611 | Oil Bolt 10*22 mm | 2 | 6.60 | |
| 7 | 90545-300-000 | Oil Bolt Washer | 4 | 0.90 | |
| 8 | 94050-05080 | Flange Nut 5 mm | 1 | 1.20 | |
| 9 | 95801-06012-07 | Flange Bolt 6*12 mm | 1 | 1.20 | |
| 10 | 95801-06016-07 | Flange Bolt 6*16 mm | 1 | 1.10 | |
| 11 | 95801-08032-07 | Flange Bolt 8*32 mmn | 2 | 1.30 | |
| 12 | 4650A-VF3-000-VN | Foot Master Cyl. Ass'y | 1 | 289.10 | |

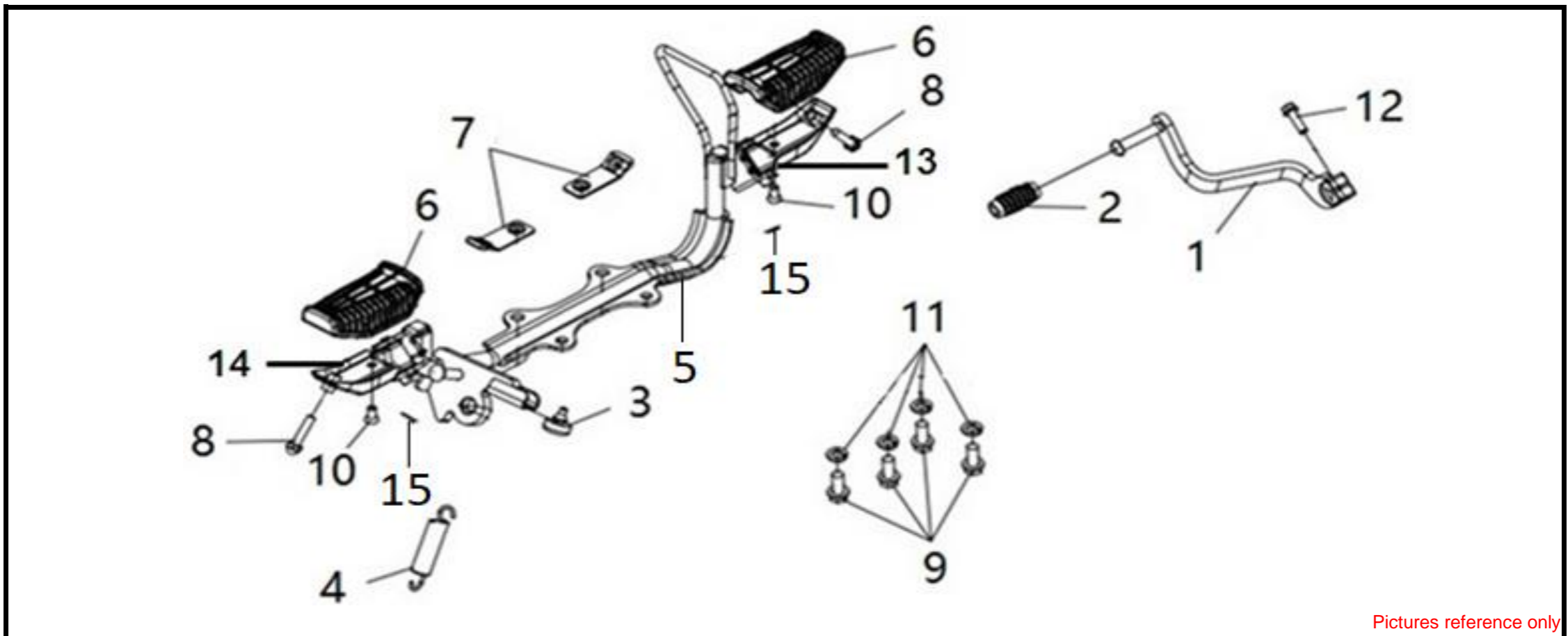
●Please check the color & stripe information according to the color index !



Pictures reference only

| No | Parts Number | Parts Name | Qty | Price (RM/pcs) | Remark |
|----|------------------|-----------------------|-----|----------------|--------|
| 1 | 33600-VF3-000-VN | Rr. R. Winker Ass'y | 1 | 70.00 | |
| 2 | 33650-VF3-000-VN | Rr. L. Winker Ass'y | 1 | 70.00 | |
| 3 | 33700-VF3-000-VN | Tail Light Ass'y | 1 | 219.90 | |
| 4 | 33740-BDA-000 | License Light Ass'y | 1 | 75.00 | |
| 5 | 33741-VT5-0000 | Rr. Reflex Reflector | 1 | 7.10 | |
| 6 | 50162-VF3-000 | Rr. Fender Brkt. | 1 | 7.40 | |
| 7 | 80100-VF3-000 | Rr. Fender | 1 | 30.60 | Black |
| 8 | 90110-G22-0001 | Special Screw 6*14 mm | 2 | 1.30 | |
| 9 | 90302-SA4-003B | Nut Spring 4 mm | 4 | 0.80 | |
| 10 | 93404-06012-07 | Washer Bolt 6*12 mm | 1 | 2.10 | |
| 11 | 93903-34320 | Tapping Screw 4*12 mm | 4 | 0.90 | |
| 12 | 93903-34480 | Tapping Screw 4*16 mm | 4 | 1.20 | |
| 13 | 93903-44480 | Tapping Screw 4*16 mm | 1 | 0.70 | |
| 14 | 94050-04080 | Flange Nut 4 mm | 2 | 0.50 | |
| 15 | 94050-05080 | Flange Nut 5 mm | 1 | 1.20 | |
| 16 | 94050-10080 | Flange Nut 10 mm | 2 | 2.15 | |
| 17 | 94592-A5W-0000 | Cable Clamp (1/4) | 1 | 1.80 | |

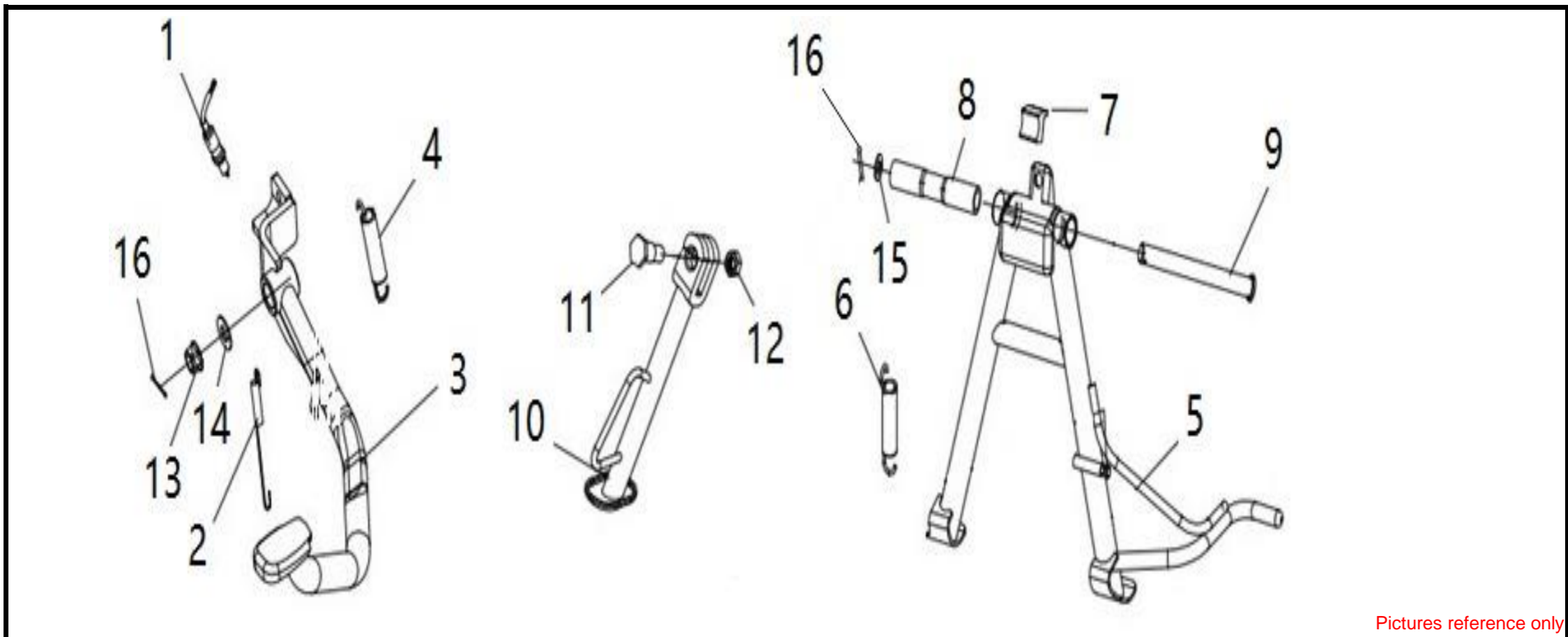
●Please check the color & stripe information according to the color index !



Pictures reference only

| No | Parts Number | Parts Name | Qty | Price (RM/pcs) | Remark |
|----|----------------|--------------------------|-----|----------------|---|
| 1 | 24700-VF3-000 | Gear Change Pedal | 1 | 31.50 | Silver (for Matte Black/ Green Bike) |
| 1 | 24700-VF3-900 | Gear Change Pedal | 1 | 31.50 | Black (for Matt Grey/ Orange Bike) |
| 2 | 24781-N01-0000 | Change Pedal Rubber | 1 | 1.30 | |
| 3 | 50505-VF3-000 | Stand Stopper Rubber | 1 | 3.50 | |
| 4 | 95014-72102 | Side Stand Spg. Ass'y | 1 | 9.10 | |
| 5 | 5061A-VF3-000 | Step Bar Assy | 1 | 170.50 | includes 50626-VF3-000 & 50627-VF3-000 (Item F20-13,14) |
| 6 | 50661-VBA-0000 | Step Rubber | 2 | 6.60 | |
| 7 | 50819-VBA-0000 | Step Rubber Stopper Stay | 2 | 3.10 | |
| 8 | 92501-06020-0G | Hex Cap Bolt 6*20 | 2 | 1.70 | |
| 9 | 93401-08020-08 | Washer Blot 8*20 | 4 | 0.70 | |
| 10 | 93500-06010-0G | Pan Screw 6*10 | 2 | 0.60 | |
| 11 | 94111-08800 | Spring Washer 8 mm | 4 | 0.40 | |
| 12 | 96001-06020 | Sh. Flange Bolt 6*20 mm | 1 | 1.95 | |
| 13 | 50626-VF3-000 | R. Fr. Step Bar Ass'y | 1 | 14.80 | |
| 14 | 50627-VF3-000 | L. Fr. Step Bar Ass'y | 1 | 14.80 | |
| 15 | 94201-16150 | Split Pin 1.6*15 | 2 | 0.70 | |

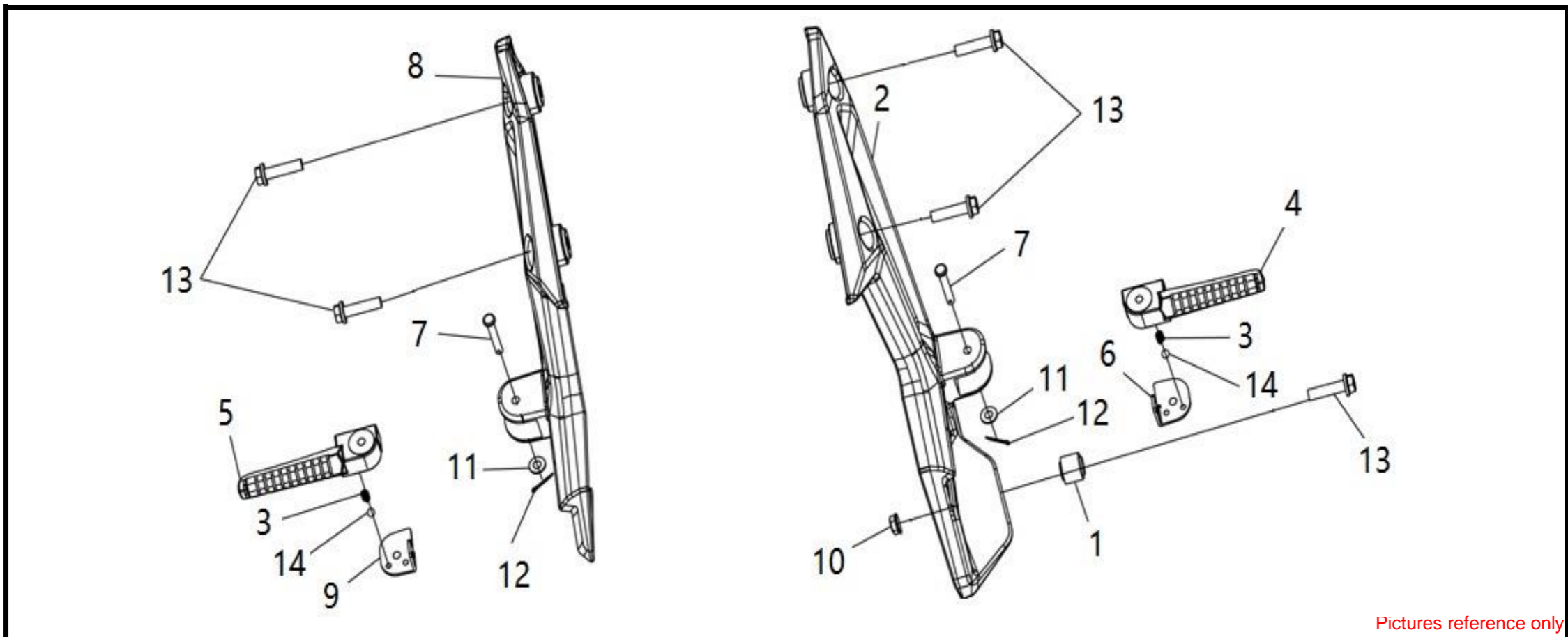
●Please check the color & stripe information according to the color index !



Pictures reference only

| No | Parts Number | Parts Name | Qty | Price (RM/pcs) | Remark |
|----|----------------|-----------------------|-----|----------------|--------------------------------------|
| 1 | 35350-VBA-0000 | Rr. Stop Sw. Ass'y | 1 | 19.90 | |
| 2 | 35357-SA5-900 | Stop Sw. Spring | 1 | 0.90 | |
| 3 | 46500-VF3-000 | Rr. Brake Pedal Comp. | 1 | 47.10 | Silver (for Matte Black/ Green Bike) |
| 3 | 46500-VF3-900 | Rr. Brake Pedal Comp. | 1 | 56.10 | Black (for Matt Grey/ Orange Bike) |
| 4 | 46514-X04-0000 | Brk. Pedal Spring | 1 | 2.70 | |
| 5 | 50500-VF3-000 | Main Stand Comp. | 1 | 64.80 | |
| 6 | 50522-VF3-000 | Main Stand Spg. D. | 1 | 10.00 | |
| 7 | 50524-M8Q-0000 | Stand Stopper Rubber | 1 | 2.30 | |
| 8 | 50525-VBC-0000 | Stand Distance Collar | 1 | 5.10 | |
| 9 | 50526-VF3-010 | Main Stand Pivot Bolt | 1 | 8.10 | |
| 10 | 50530-VF3-000 | Side Stand Bar Comp. | 1 | 21.70 | |
| 11 | 90108-B06-0001 | Side Stand Pivot Bolt | 1 | 2.30 | |
| 12 | 94002-10070-0S | Hex Nut 10 mm | 1 | 0.90 | |
| 13 | 94050-10070 | Flange Nut 10 mm | 1 | 2.40 | |
| 14 | 94101-10700 | Washer Plain 10 mm | 1 | 0.90 | |
| 15 | 94102-12800 | Plain Washer 12 mm | 1 | 0.90 | |
| 16 | 94201-20200 | Split Pin 2.0*20 mm | 2 | 0.50 | |

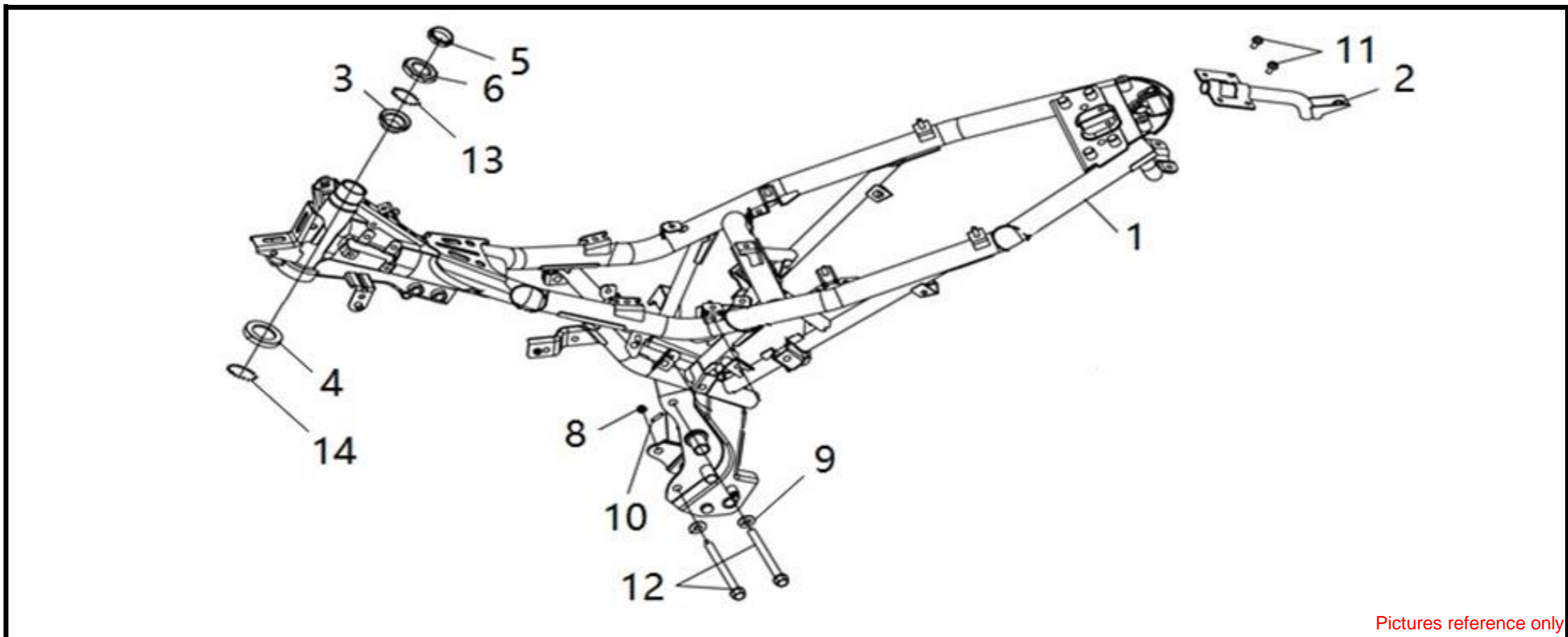
●Please check the color & stripe information according to the color index !



Pictures reference only

| No | Parts Number | Parts Name | Qty | Price (RM/pcs) | Remark |
|----|------------------|----------------------------|-----|----------------|--|
| 1 | 18422-LYD-300 | Muf. Mounting Rubber Bush | 1 | 7.20 | |
| 2 | 50650-VF3-000-KT | R. Step Holder (BK-501U/S) | 1 | 190.00 | Black (for Matte Black/ Green Bike) |
| 2 | 50650-VF3-000-IF | R. Step Holder (GY-097) | 1 | 190.00 | Matt Gray (for Matt Gray/ Orange Bike) |
| 3 | 50703-R02-000 | Stop Spring | 2 | 5.90 | |
| 4 | 50715-VF3-000 | R. Pillion Step Bar | 1 | 22.90 | |
| 5 | 50716-VF3-000 | L. Pillion Step Bar | 1 | 22.90 | |
| 6 | 50719-VE1-0001 | R. Thrust Plate | 1 | 3.50 | |
| 7 | 50722-B9A-000 | Step Pin | 2 | 9.20 | |
| 8 | 50750-VF3-000-KT | L. Step Holder (BK-501U/S) | 1 | 190.00 | Black (for Matte Black/ Green Bike) |
| 8 | 50750-VF3-000-IF | L. Step Holder (GY-097) | 1 | 190.00 | Matt Gray (for Matt Gray/ Orange Bike) |
| 9 | 50819-VE1-0001 | L. Thrust Plate | 1 | 3.50 | |
| 10 | 94050-08000 | Flange Nut 8 mm | 1 | 1.30 | |
| 11 | 94101-06000 | Plain Washer | 2 | 0.50 | |
| 12 | 94201-16200 | Split Pin 1.6*20 mm | 2 | 0.45 | |
| 13 | 95801-08032-07 | Flange Bolt 8*32 mm | 5 | 1.30 | |
| 14 | 96211-08000 | Steel Ball 8 # | 2 | 1.40 | |

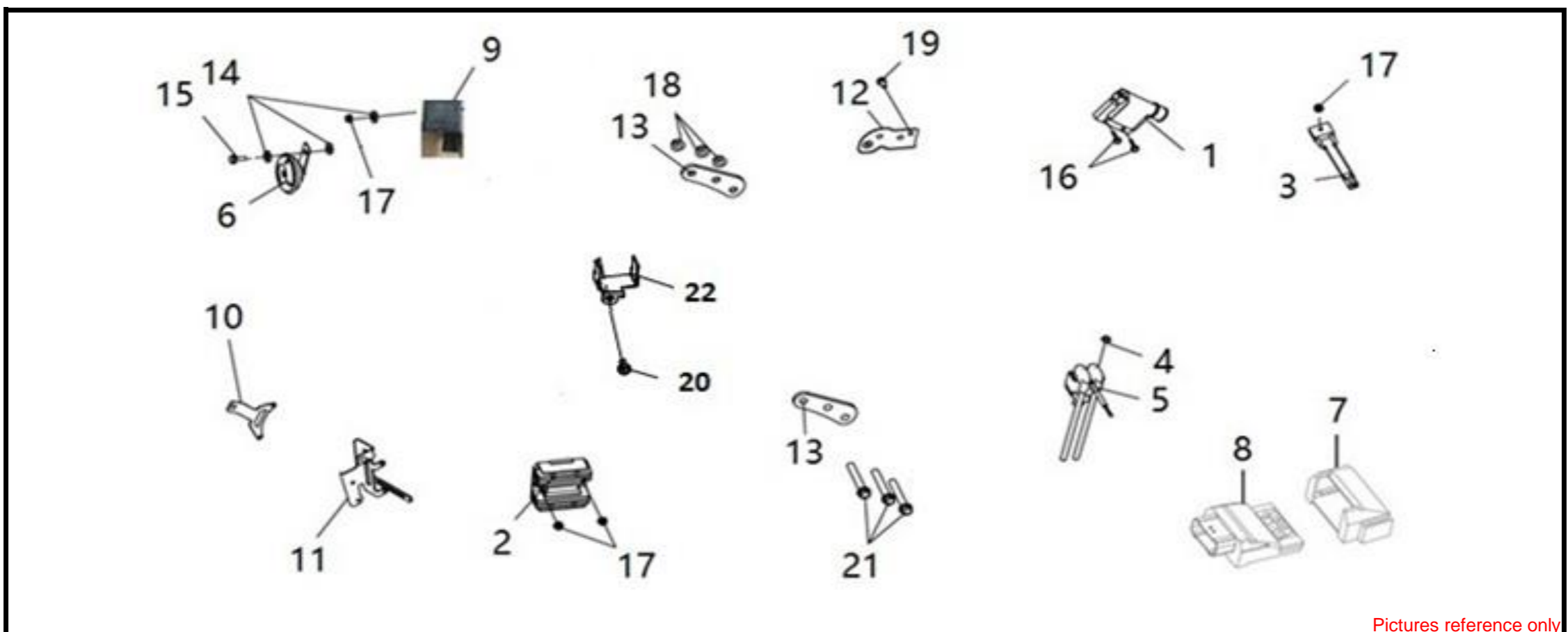
●Please check the color & stripe information according to the color index !



Pictures reference only

| No | Parts Number | Parts Name | Qty | Price (RM/pcs) | Remark |
|----|------------------|-----------------------|-----|----------------|--------|
| 1 | 50100-VF3-000-KC | Frame Body Comp. | 1 | 949.40 | |
| 2 | 50199-VF3-000 | Sub Pipe B Comp. | 1 | 26.80 | |
| 3 | 50301-M9Q-000 | Strg. Up Race Ball | 1 | 20.70 | |
| 4 | 50302-M9Q-0000 | Ball Race(Strg. Bot.) | 1 | 14.00 | |
| 5 | 50306-M9Q-0000 | Strg. Stem Lock Nut | 1 | 6.10 | |
| 6 | 53211-M9Q-000 | Strg Top Cone Race | 1 | 19.60 | |
| 8 | 94050-10070 | Flange Nut 10 mm | 1 | 2.40 | |
| 9 | 94101-10700 | Washer Plain 10 mm | 2 | 0.90 | |
| 10 | 94201-20200 | Split Pin 2.0*20 mm | 1 | 0.50 | |
| 11 | 95801-06012-07 | Flange Bolt 6*12 mm | 2 | 1.20 | |
| 12 | 95801-10110-07 | Flange Bolt 10*110 mm | 2 | 5.50 | |
| 13 | 50303-AAA-000 | Ball Steel 5 # | 1 | 18.00 | |
| 14 | 50304-AAA-000 | Steel Ball 8 # | 1 | 18.00 | |

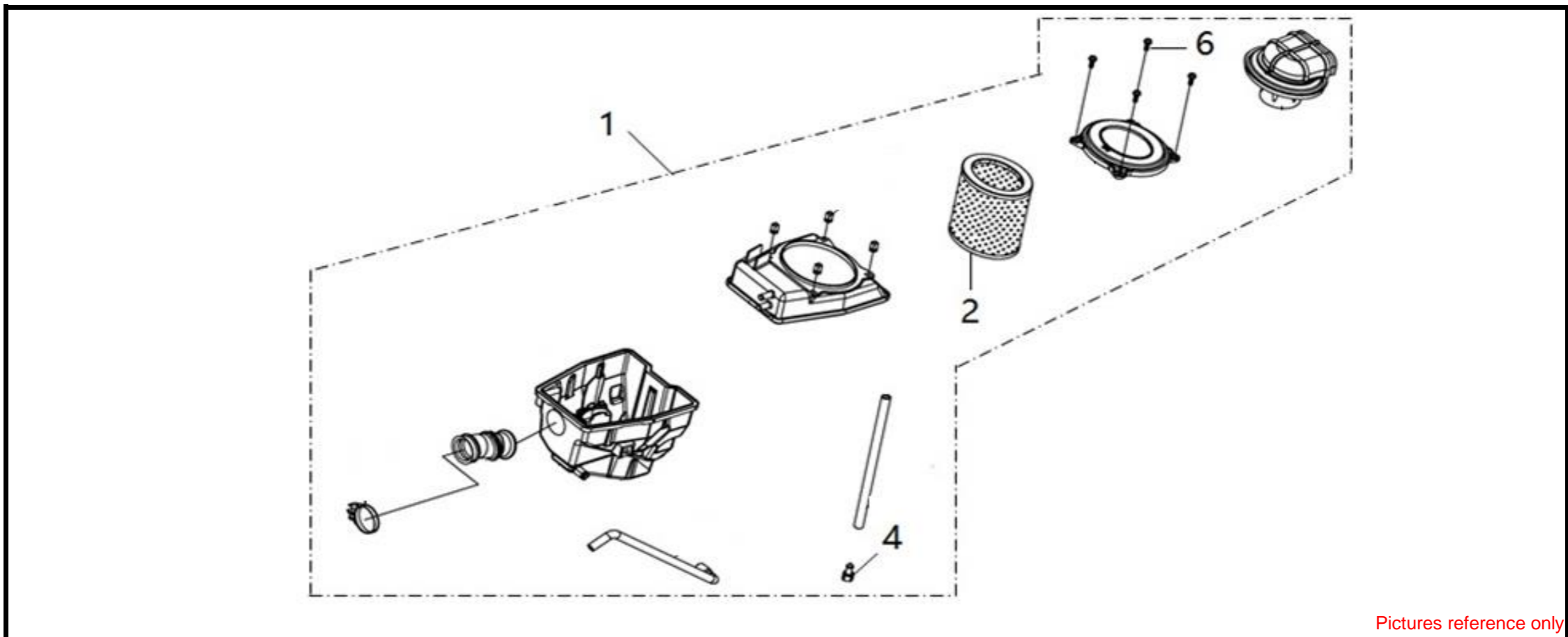
●Please check the color & stripe information according to the color index !



Pictures reference only

| No | Parts Number | Parts Name | Qty | Price (RM/pcs) | Remark |
|----|----------------|-----------------------------|-----|----------------|--------|
| 1 | 3051A-VF3-000 | Ign. Coil Ass'y | 1 | 92.90 | |
| 2 | 31600-VWH-0000 | Reg. Rec. Comp. | 1 | 139.00 | |
| 3 | 31700-M46-000 | Silicon Rectifier Comp. | 1 | 16.40 | |
| 4 | 35859-M9Q-000 | Start Mag. Sw. Nut | 1 | 1.20 | |
| 5 | 3585A-VF3-000 | Start Mag. Sw. Set | 1 | 64.80 | |
| 6 | 38110-H7H-000 | HORN COMP | 1 | 54.60 | |
| 7 | 38700-L4A-000 | Ecu Suspension | 1 | 17.40 | |
| 8 | 3871B-VFA-000 | Ecu Unit Spec. | 1 | 483.40 | |
| 9 | 3380A-VF3-000 | Lighting Control Unit Ass'y | 1 | 47.50 | |
| 10 | 50262-VF3-000 | Under Spoiler Stay B | 1 | 12.50 | |
| 11 | 50266-VF3-000 | Reserve Tank Stay A | 1 | 22.90 | |
| 12 | 50328-VF3-000 | R. Main Pipe Patch | 1 | 5.60 | |
| 13 | 50565-VF3-000 | Fr. Eng. Hanger Stay | 2 | 14.30 | |
| 14 | 77226-M3F-0000 | Damp Rubber | 4 | 2.30 | |
| 15 | 94103-06000 | Flange Bolt 6 mm | 1 | 0.50 | |
| 16 | 93891-05022-07 | Washer Screw 5*22 mm | 2 | 0.80 | |
| 17 | 94050-06080 | Flange Nut 6 mm | 4 | 1.40 | |
| 18 | 94050-10070 | Flange Nut 10 mm | 3 | 2.40 | |
| 19 | 95801-06012-07 | Flange Bolt 6*12 mm | 8 | 1.20 | |
| 20 | 96001-06010-07 | Sh. Flange Bolt 6*10 mm | 1 | 0.40 | |
| 21 | 95801-10090-07 | Flange Bolt 10*90 mm | 3 | 3.90 | |
| 22 | 50137-VF3-000 | Start Mag. Sw. Stay | 1 | 4.80 | |

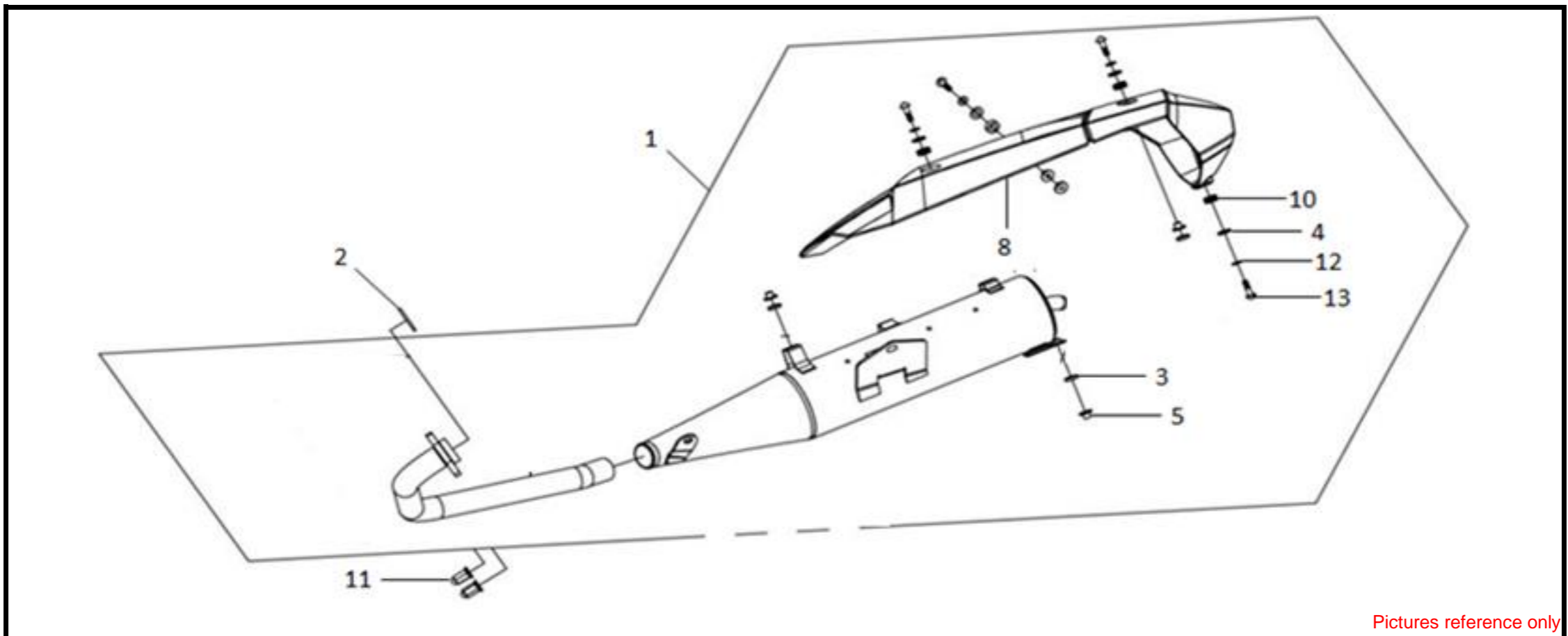
●Please check the color & stripe information according to the color index !



Pictures reference only

| No | Parts Number | Parts Name | Qty | Price (RM/pcs) | Remark |
|----|----------------|-----------------------|-----|----------------|--------|
| 1 | 17200-VFA-000 | Air Cleaner Ass'y | 1 | 215.90 | |
| 2 | 17211-B9A-000 | Air/C Element Comp. | 1 | 50.00 | |
| 4 | 1737A-VUH-0000 | Air/C Tube Plug Ass'y | 1 | 1.30 | |
| 6 | 93891-05016-07 | Washer Screw 5*16 mm | 4 | 1.70 | |

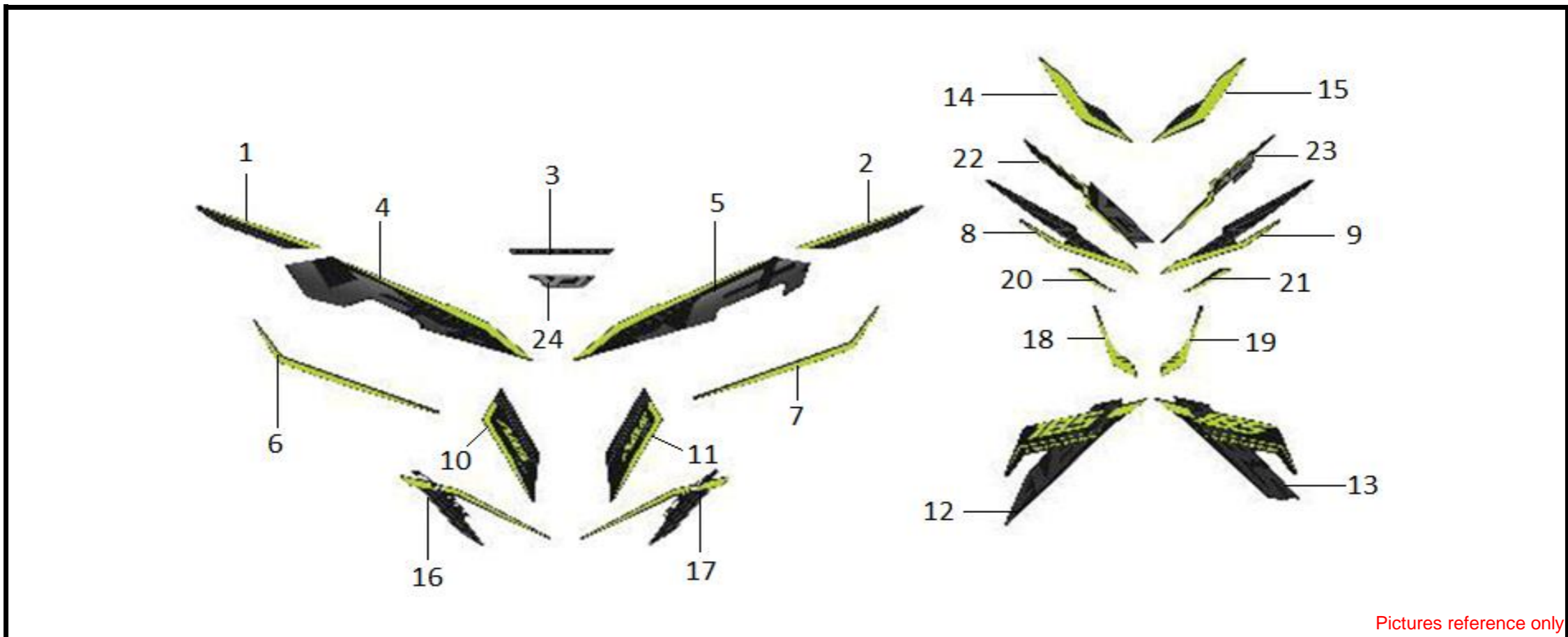
●Please check the color & stripe information according to the color index !



Pictures reference only

| No | Parts Number | Parts Name | Qty | Price (RM/pcs) | Remark |
|----|-------------------|-------------------------------------|-----|----------------|--|
| 1 | 18000-VF3-900-PH | Exh. Muffler Ass'y | 1 | 927.90 | include 18318-VF3-000-KKT |
| 2 | 18291-H9A-000 | Ex. Pipe Gasket | 1 | 7.60 | |
| 3 | 18292-F86-000 | Protector Packing A | 4 | 4.30 | |
| 4 | 18293-F3E-000 | Protector Packing B | 4 | 1.50 | |
| 5 | 18295-A1A-000 | Collar M6 | 4 | 2.90 | |
| 8 | 18318-VF3-000-KKT | MUFFLER PROTECTOR (BK-001U/BK-501U) | 1 | 109.00 | Black (for Matte Black/ Green Bike) |
| 8 | 18318-VF3-000-KEG | MUFFLER PROTECTOR (BK-001U/GY-097) | 1 | 149.30 | Matt Gray (for Matt Gray/ Orange Bike) |
| 10 | 18321-L1A-000 | Protector Rubber | 4 | 3.50 | |
| 11 | 90043-XB1-000 | Cap Nut 8 mm | 2 | 5.90 | |
| 12 | 90107-V02-000 | Plain Washer 6 mm | 4 | 2.10 | |
| 13 | 90116-L4A-000 | Special Bolt M6*22 mm | 4 | 1.70 | |

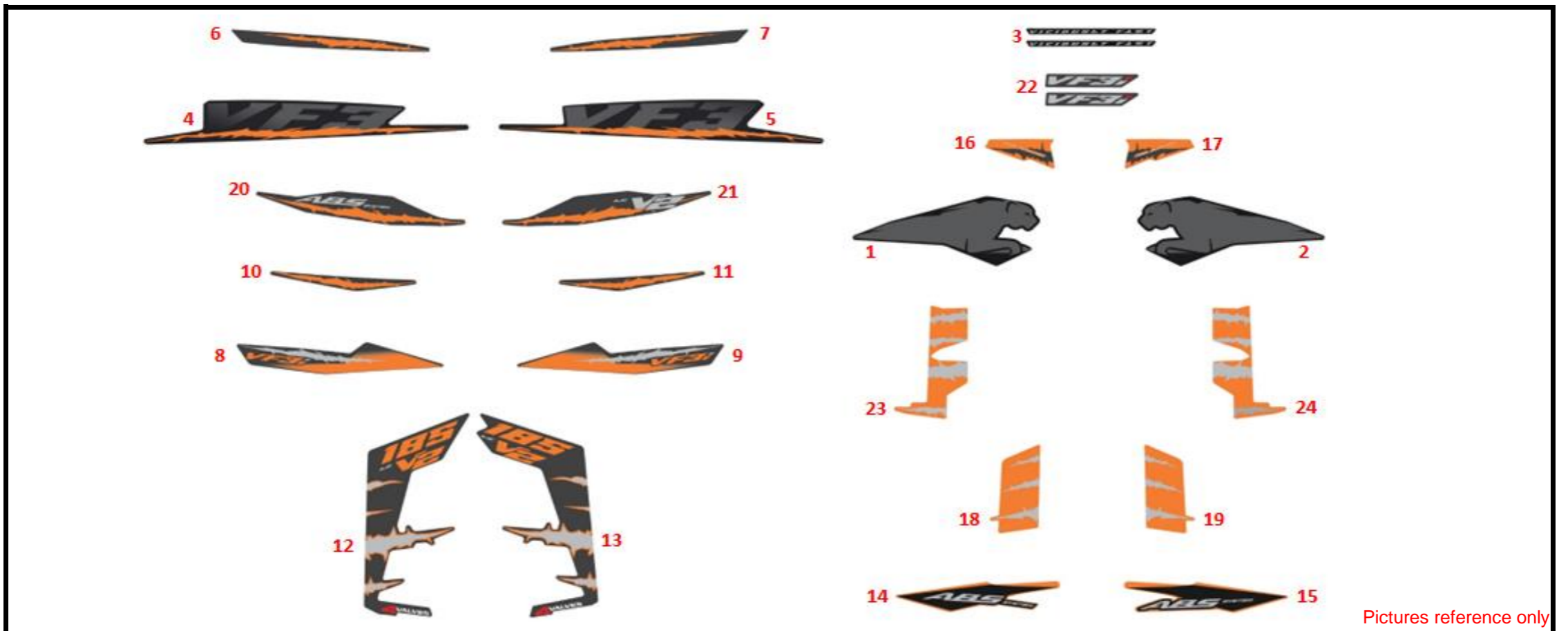
●Please check the color & stripe information according to the color index !



Pictures reference only

| No | Parts Number | Parts Name | Qty | Price (RM/pcs) | Remark |
|----|-------------------|------------------------|-----|----------------|--------|
| 1 | 87121-VFA-0000-T1 | R. Body Cover Stripe | 1 | 2.30 | |
| 2 | 87122-VFA-0000-T1 | L. Body Cover Stripe | 1 | 2.30 | |
| 3 | 87123-VFA-0000 | Body Lower Stripe B | 2 | 0.90 | |
| 4 | 87125-VFA-0000-T1 | R. Body Lower Stripe A | 1 | 11.70 | |
| 5 | 87126-VFA-0000-T1 | L. Body Lower Stripe A | 1 | 11.70 | |
| 6 | 87127-VFA-0000-T1 | R. Body Lower Stripe C | 1 | 7.80 | |
| 7 | 87128-VFA-0000-T1 | L. Body Lower Stripe C | 1 | 7.80 | |
| 8 | 87129-VFA-0000-T1 | R. Fr. Cover Stripe A | 1 | 5.20 | |
| 9 | 87130-VFA-0000-T1 | L. Fr. Cover Stripe A | 1 | 5.20 | |
| 10 | 87131-VFA-0000-T1 | R. Fr. Cover Stripe B | 1 | 3.90 | |
| 11 | 87132-VFA-0000-T1 | L. Fr. Cover Stripe B | 1 | 3.90 | |
| 12 | 87133-VFA-0000-T1 | R. Fr. Cover Stripe C | 1 | 11.30 | |
| 13 | 87134-VFA-0000-T1 | L. Fr. Cover Stripe C | 1 | 11.30 | |
| 14 | 87135-VFA-0000-T1 | R. Fr. Cover Stripe D | 1 | 2.70 | |
| 15 | 87136-VFA-0000-T1 | L. Fr. Cover Stripe D | 1 | 2.70 | |
| 16 | 87137-VFA-0000-T1 | R. Side Cover Stripe | 1 | 6.20 | |
| 17 | 87138-VFA-0000-T1 | L. Side Cover Stripe | 1 | 6.20 | |
| 18 | 87139-VFA-0000-T1 | R. Fr. Fender Stripe | 1 | 1.70 | |
| 19 | 87140-VFA-0000-T1 | L. Fr. Fender Stripe | 1 | 1.70 | |
| 20 | 87141-VFA-0000-T1 | R. Meter Cover Stripe | 1 | 0.90 | |
| 21 | 87142-VFA-0000-T1 | L. Meter Cover Stripe | 1 | 0.90 | |
| 22 | 87145-VFA-0000-T1 | R. Fr. Garnish Stripe | 1 | 4.40 | |
| 23 | 87146-VFA-0000-T1 | L. Fr. Garnish Stripe | 1 | 4.40 | |
| 24 | 87148-VFA-0000 | VF3i Stripe | 2 | 0.90 | |
| | 87000-VFA-0000-T1 | STRIPE ASSY | 1 | 90.00 | |

●Please check the color & stripe information according to the color index !



| No | Parts Number | Parts Name | Qty | Price (RM/pcs) | Remark |
|----|----------------|--|-----|----------------|--------|
| 1 | 87121-VFA-0001 | R. Body Cover Stripe (Orange) - 2022 | 1 | 2.40 | |
| 2 | 87122-VFA-0001 | L. Body Cover Stripe (Orange) - 2022 | 1 | 2.40 | |
| 3 | 87123-VFA-0001 | Body Lower Stripe B (Orange) - 2022 | 2 | 9.90 | |
| 4 | 87125-VFA-0001 | R. Body Lower Stripe A (Orange) - 2022 | 1 | 2.40 | |
| 5 | 87126-VFA-0001 | L. Body Lower Stripe A (Orange) - 2022 | 1 | 2.40 | |
| 6 | 87127-VFA-0001 | R. Body Lower Stripe C (Orange) - 2022 | 1 | 5.40 | |
| 7 | 87128-VFA-0001 | L. Body Lower Stripe C (Orange) - 2022 | 1 | 5.40 | |
| 8 | 87129-VFA-0001 | R. Fr. Cover Stripe A (Orange) - 2022 | 1 | 13.10 | |
| 9 | 87130-VFA-0001 | L. Fr. Cover Stripe A (Orange) - 2022 | 1 | 13.10 | |
| 10 | 87131-VFA-0001 | R. Fr. Cover Stripe B (Orange) - 2022 | 1 | 2.40 | |
| 11 | 87132-VFA-0001 | L. Fr. Cover Stripe B (Orange) - 2022 | 1 | 2.40 | |
| 12 | 87133-VFA-0001 | R. Fr. Cover Stripe C (Orange) - 2022 | 1 | 5.40 | |
| 13 | 87134-VFA-0001 | L. Fr. Cover Stripe C (Orange) - 2022 | 1 | 5.40 | |
| 14 | 87137-VFA-0001 | R. Side Cover Stripe (Orange) - 2022 | 1 | 2.40 | |
| 15 | 87138-VFA-0001 | L. Side Cover Stripe (Orange) - 2022 | 1 | 2.40 | |
| 16 | 87139-VFA-0001 | R. Fr. Fender Stripe (Orange) - 2022 | 1 | 9.50 | |
| 17 | 87140-VFA-0001 | L. Fr. Fender Stripe (Orange) - 2022 | 1 | 9.50 | |
| 18 | 87143-VFA-0000 | R. Side Cover Stripe B (Orange) - 2022 | 1 | 5.40 | |
| 19 | 87144-VFA-0000 | L. Side Cover Stripe B (Orange) - 2022 | 1 | 5.40 | |
| 20 | 87145-VFA-0001 | R. Fr. Garnish Stripe (Orange) - 2022 | 1 | 0.90 | |
| 21 | 87146-VFA-0001 | L. Fr. Garnish Stripe (Orange) - 2022 | 1 | 0.90 | |
| 22 | 87148-VFA-0002 | 185I Stripe (Orange) - 2022 | 2 | 5.90 | |
| 23 | 87149-VFA-0000 | R. Side Cover Stripe C (Orange) - 2022 | 1 | 4.10 | |
| 24 | 87150-VFA-0000 | L. Side Cover Stripe C (Orange) - 2022 | 1 | 4.10 | |
| | 87000-VFA-0003 | STRIPE ASSY (ORANGE) - 2022 | 1 | 90.00 | |

●Please check the color & stripe information according to the color index !